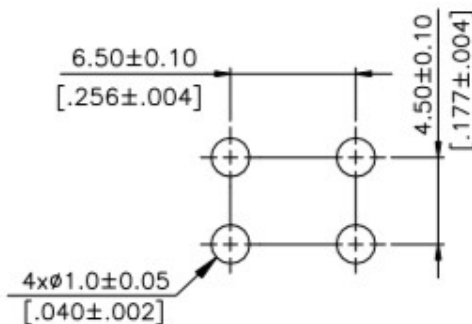
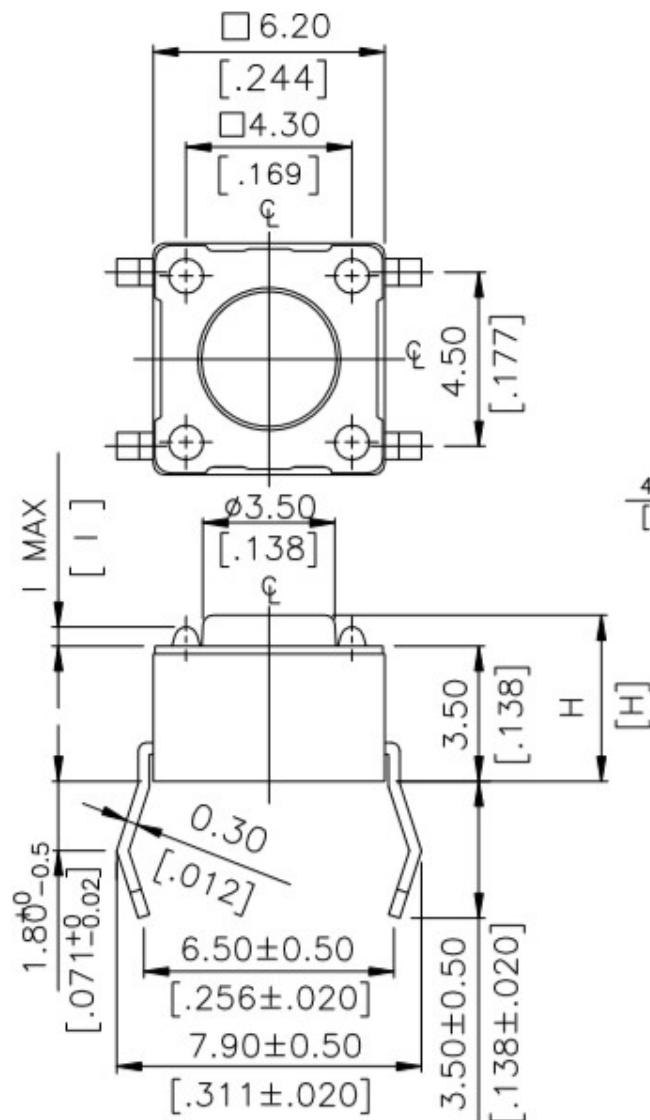
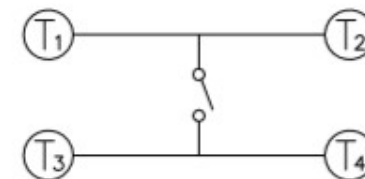
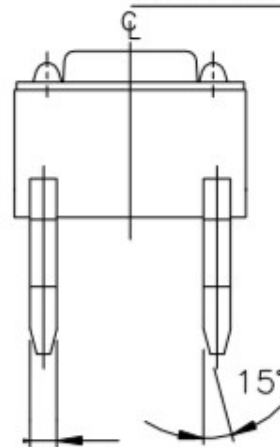


Тактильные кнопки DTS

DTS-61~66



P.C.B. LAYOUT



CIRCUIT DIAGRAM

DTS - 62~66 □	0.6 MAX	.0236 MAX
DTS - 6 1 □	0.5 MAX	.0197 MAX
PROD.	NO.	I
		INCHES.

DTS-6 6 □	13.0 [.512]
DTS-6 5 □	9.5 [.374]
DTS-6 3 □	7.0 [.275]
DTS-6 2 □	5.0 [.197]
DTS-6 1 □	4.3 [.169]
PROD.	NO.
	H