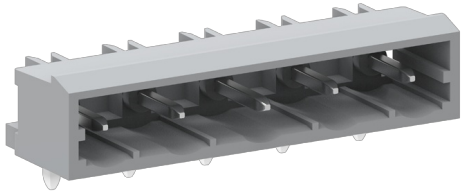


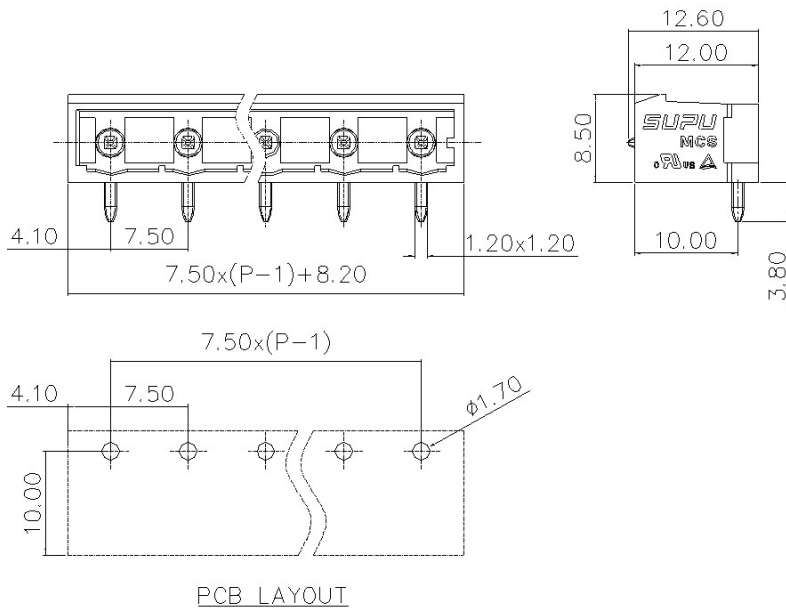
Category: 插拔式端子-插座/Plug-in terminal-plug

Product name: 4753XX-03D

Product Description: 7.5mm , 500V , 12A CE , UL



Product Picture



基本信息 /Basic Information

产品型号  
SUPU ID 4753XX-03D

产品间距  
Pitch 7.5mm

产品层数  
Number of levels 1

产品位数  
Number of connections 3P-5P

接线方式  
Connection method -

防护等级  
Protection Level IP20

|                          |            |
|--------------------------|------------|
| 工作温度<br>Work temperature | -40~+105°C |
|--------------------------|------------|

## IEC数据 /IEC Data

|  |      |      |       |
|--|------|------|-------|
| 额定电流<br>Rated Current  | 12A  |      |       |
| 额定电压<br>Rated Voltage  | 500V |      |       |
| 过压类别<br>Overvoltage category                                   | III  | III  | II    |
| 污染等级<br>Pollution degree                                       | 3    | 2    | 2     |
| 额定冲击电压<br>Rated impulse voltage                                | 6KV  | 6KV  | 6KV   |
| 额定电压<br>Rated Voltage  | 500V | 630V | 1000V |
| 硬导线截面积<br>Conductor cross section solid                        | -    |      |       |
| 柔性导线截面积<br>Conductor cross section flexible                    | -    |      |       |
| 柔性导线截面积，带绝缘管套<br>Conductor cross section flexible,with furrule | -    |      |       |
| 锁线螺钉规格<br>Locking screw Specification                          | -    |      |       |
| 额定扭矩<br>Rated Torque   | -    |      |       |
| 固定螺钉规格<br>Fixed Screw Specification                            | -    |      |       |
| 额定扭矩<br>Rated Torque   | -    |      |       |
| 剥线长度<br>Stripping length                                       | -    |      |       |

## UL数据 /UL Data

|                       |      |   |      |
|-----------------------|------|---|------|
| 使用组别<br>Use group     | B    | C | D    |
| 额定电流<br>Rated Current | 15A  | - | 10A  |
| 额定电压<br>Rated Voltage | 300V | - | 300V |

额定接线容量  
Rated cross section

## 材料信息 /Material Data

|  |              |
|--|--------------|
| 绝缘材料<br>Insulation material                              | PA66         |
| 绝缘材料组别<br>Insulation material group                      | I            |
| 阻燃等级，符合UL94<br>Flame retardant grade, UL94<br>compliance | V0           |
| 导体材料<br>Contact material                                 | Copper alloy |
| 导体表面镀层<br>Surface characteristics                        | Sn,Plated    |

## 产品认证 /Product Certification

认证图标  
Certificate



UL证书号  
UL file No.

VDE证书号  
VDE No.

TUV证书号  
TUV No.

Ningbo Supu Electronics Co.,Ltd

Zip code: 315303

Fax: +86 574-63288170

E-mail : askme@supu.cn

Address: No. 625, Kandun Town Street, Cixi  
City, Zhejiang Province

Switchboard: +86 574-63288158

E-mail : askme@supu.cn

Service Hotline: 400-626-6336



Code