

Data sheet

Commercial Art.No.: 92.031.0058.1

Device connector GST18i3L B1V SW

GST18i3 PCB mount with additional mounting option, 3 pole, female (vertical), coding mains 250 V, 20 A, coding color black



Commercial Art.No.	92.031.0058.1
EAN	4015573454545
Order Unit	1

Certificates / Approvals



Technical data

General

Rated current	20 A
Rated voltage	250 V
Pollution degree	2
Mechanical coding	Code 1
Rated impulse voltage	4 kV
Lockable	self-locking (unlocking by tool)
Color of coding/ contact carrier	black
Marking of poles	L, N, PE

Connection Data

Terminations per pole	1
-----------------------	---

Model

Model	female
Connection type	Soldering connection
Angle of plug	straight
Degree of protection (IP)	IP20
built-in component	Soldering connection

Material

Housing material	Polyamide
halogen free	yes

Contact material	CuZn
Fire load	0.029 kWh
Insulation components continuous temperature	100 °C
Surface finish	Tin-plated

Dimensions

Length	24 mm
Width	28.2 mm
Height	13 mm

Classification

ECLASS 11	
ECLASS 8.1	27440602
ETIM 7.0	EC002566
ETIM 6.0	EC002566
ETIM 5.0	EC002566
ETIM 4.0	EC002566

Product compliance

ROHS conformity status	Compliant/Exempted
ROHS exceptions	III-6(c)
REACH-SVHC conformity status	Duty-To-Declare
REACH-SVHC substances	Lead
REACH-SVHC CAS numbers	7439-92-1

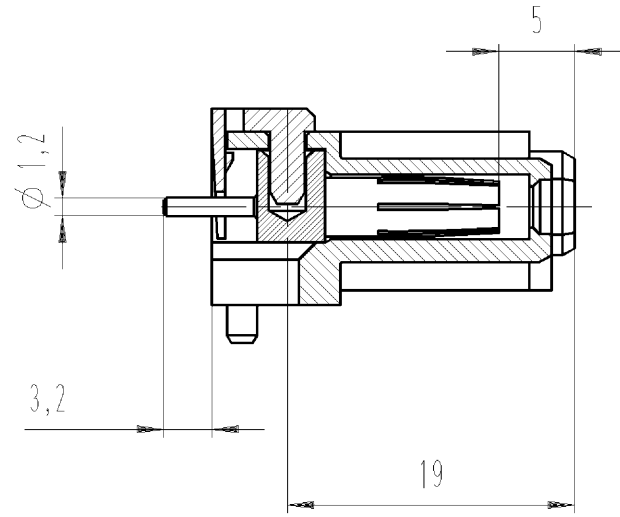
Accessories

Commercial Art.No.:	Article-type description:	Description:
05.590.4556.0	Lock GST18 WS	Locking device for solder connections GST18i3-5, white
05.590.4556.1	Lock GST18 SW	Locking device for solder connections GST18i3-5, black
05.561.3653.0	cover cap GST18i3VS B WS	Cover piece for female GST18i3, white
05.561.3653.1	cover cap GST18i3VS B SW	Cover piece for female GST18i3, black
05.564.5353.0	cover cap GST18i3/4/5 SW	Cover piece 12 pole black for female parts GST18i3-6
05.564.5353.2	cover cap GST18i3/4/5 WS	Cover piece 12 pole white for female parts GST18i3-6
05.594.4250.0	cover cap ST18/3B + GST18i3 ST WS	
05.594.4253.0	cover cap ST18/3B + GST18i3 ST WS	

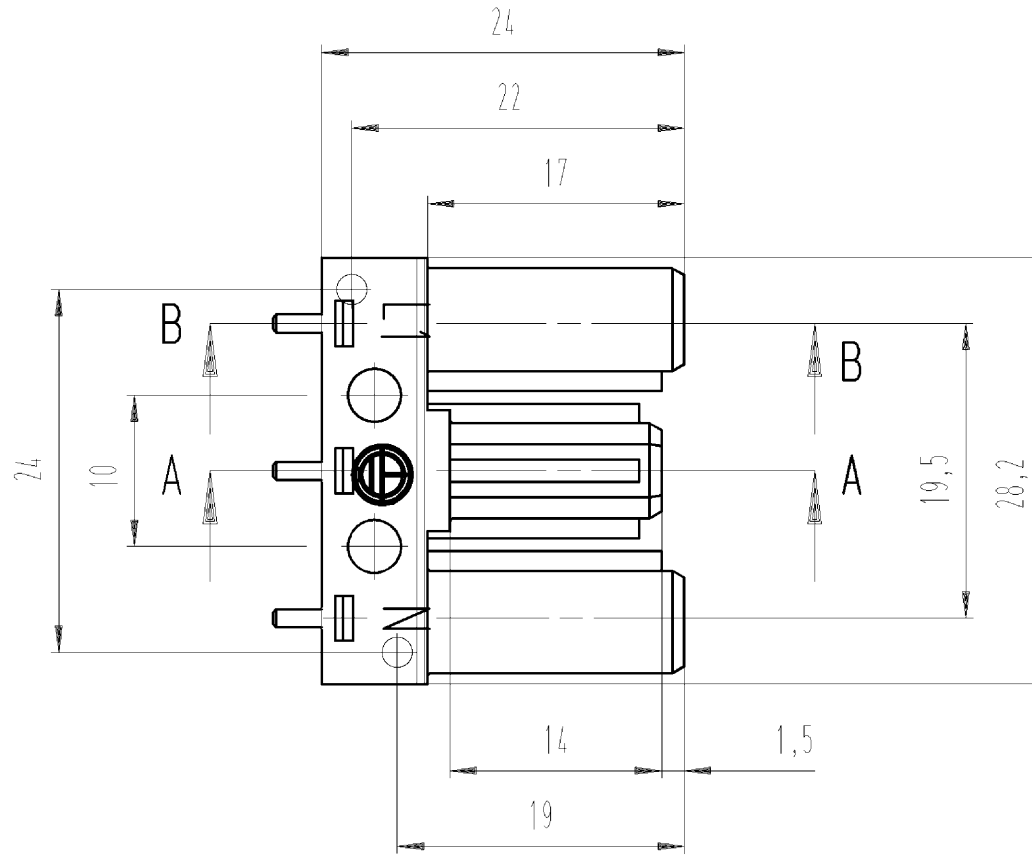
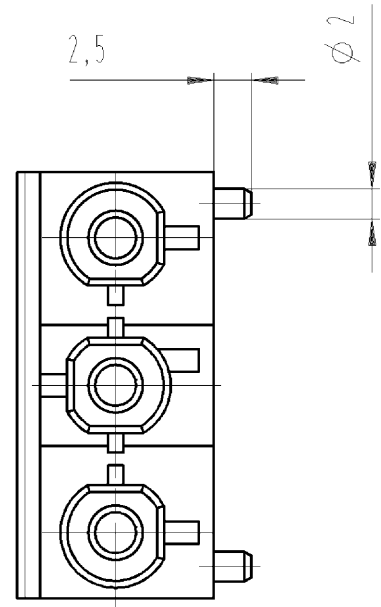
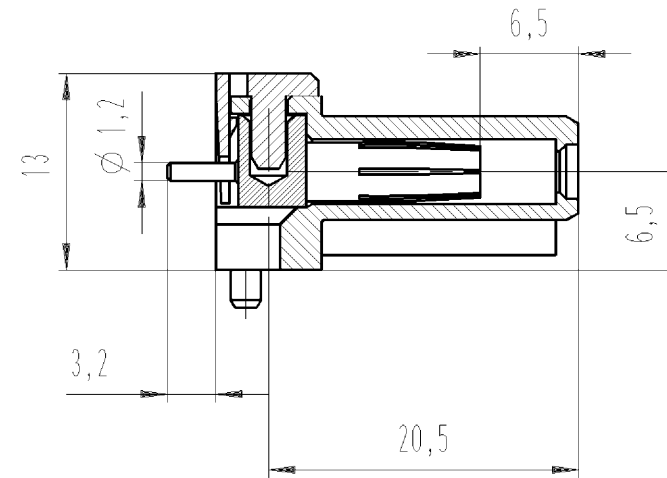
Fits with

Commercial Art.No.:	Article-type description:	Description:
92.932.3053.1	Connector GST18i3S S1 ZR1 SW	GST18i3 connector, 3 pole, male with screw connection, coding mains 250 V, 20 A, coding color black, strain relief color black
92.932.5053.1	Connector GST18i3S S1 ZR2 SW	GST18i3 connector, 3 pole, male with screw connection (tall strain relief), coding mains 250 V, 20 A, coding color black, strain relief color black
92.732.3053.1	Connector GST18i3S S1 ZR1 M SW	GST18i3 connector, 3 pole, male with screw connection assembled, coding mains 250 V, 20 A, coding color black, strain relief color black

Schnitt A-A
cross section



Schnitt B-B
cross section



Weitere Daten siehe Katalog
further data see catalog

Teilenummer part number	Farbe colour	Typ type
92.031.0058.0	weiß white	GST1813L B1V ws
92.031.0058.1	schwarz black	GST1813L B1V sw

Tolerierung Size ISO 14405 (E) / Tolerance system Size ISO 14405 (E).
(This ISO-standard describes the envelope principle. According to the envelope principle the deviations of form and parallelism are limited by the size tolerances).

ja/yes Stoffverbots- und Deklarationsliste nach UU-TOM-05/03 ist einzuhalten.
Conformity with Wieland document UU-TOM-05/03 (list of prohibited / declarable hazardous substances) to be declared!

Freitoleranz nach - CAD - Zeichnung, keine manuellen Änderungen
General tolerance CAD - drawing, no manual modifications allowed

1. Verwendung: - Blatt: 1 von 1
First Use: Sheet: of

2005	Tag/Date	Name	T	Zeichnung Nr./Drawing No.	Index
gezeichnet drawn	12.05.	Schnitt J.			
geprüft checked	-	-			
Normgepr. Stand. check	-	-			

Maße in mm/Dimensions are in mm

Vol. - mm³ Ofl./Surf. - mm² Ersatz für/Replacement for: -

a 03.07.2013/ **wieland** Type Benennung/Titel **FEMALE CONNECTOR BUCHSENTEIL**

Index Datum / Blatt Date / Sheet **Lötanschluss gerade / soldered connection vertical**
250V AC 20A

Änderung/Revision Elektrische Verbindungen

These dimensions will be especially checked at delivery
Only inspection dimensions
With /E marked dimensions are only valid for internal use

Diese Maße werden bei Abnahme besonders geprüft
Ausschließlich Prüfmaße
Mit /E gekennzeichnete Maße sind nur für interne Zwecke gültig

Weitergabe sowie Vervielfältigung dieses Dokuments, Verwertung und Mitteilung seines Inhalts sind verboten, soweit nicht ausdrücklich gestattet.
The reproduction, distribution and utilization of this document as well as the communication of its contents to others without express authorization is prohibited.

920310058001K_2_CADW3030_Lunz 2013-07-03T10:28:07 1.000