



HY2213

Datasheet

1 Cell Li-ion/Polymer Battery Charge Balance IC

Table of Contents

1.	GENERAL DESCRIPTION	4
2.	FEATURE	4
3.	APPLICATION	4
4.	BLOCK DIAGRAM.....	5
5.	ORDERING INFORMATION	5
6.	MODEL LIST.....	6
6.1.	Electrical Parameter Option	6
6.2.	Characteristic Code- Other Function Option.....	6
7.	PIN CONFIGURATION AND PACKAGE MARKING INFORMATION	6
8.	ELECTRICAL CHARACTERISTICS	7
8.1.	Absolute Maximum Ratings	7
8.2.	Electrical Characteristics (Excluding Delay Time)	7
9.	EXAMPLE CIRCUIT OF BATTERY CHARGE BALANCE IC APPLICATION.....	8
10.	DESCRIPTION OF OPERATION	9
10.1.	Normal Status.....	9
10.2.	Overcharge Status	9
10.3.	Standby Status	9
11.	CHARACTERISTIC CURVE (TYPICAL VALUE).....	10
12.	PACKAGE INFORMATION.....	11
12.1.	SOT-23-6 Package.....	11
13.	TAPE & REEL INFORMATION.....	12
13.1.	Tape & Reel Information ---SOT-23-6 (Type 1).....	12
13.2.	Tape & Reel Information ---SOT-23-6 (Type 2).....	13
14.	REVISION HISTORY	14

Attention :

1. HYCON Technology Corp. reserves the right to change the content of this datasheet without further notice. For most up-to-date information, please constantly visit our website: <http://www.hycontek.com> .
2. HYCON Technology Corp. is not responsible for problems caused by figures or application circuits narrated herein whose related industrial properties belong to third parties.
3. Specifications of any HYCON Technology Corp. products detailed or contained herein stipulate the performance, characteristics, and functions of the specified products in the independent state. We does not guarantee of the performance, characteristics, and functions of the specified products as placed in the customer's products or equipment. Constant and sufficient verification and evaluation is highly advised.
4. Please note the operating conditions of input voltage, output voltage and load current and ensure the IC internal power consumption does not exceed that of package tolerance. HYCON Technology Corp. assumes no responsibility for equipment failures that resulted from using products at values that exceed, even momentarily, rated values listed in products specifications of HYCON products specified herein.
5. Notwithstanding this product has built-in ESD protection circuit, please do not exert excessive static electricity to protection circuit.
6. Products specified or contained herein cannot be employed in applications which require extremely high levels of reliability, such as device or equipment affecting the human body, health/medical equipments, security systems, or any apparatus installed in aircrafts and other vehicles.
7. Despite the fact that HYCON Technology Corp. endeavors to enhance product quality as well as reliability in every possible way, failure or malfunction of semiconductor products may happen. Hence, users are strongly recommended to comply with safety design including redundancy and fire-precaution equipments to prevent any accidents and fires that may follow.
8. Use of the information described herein for other purposes and/or reproduction or copying without the permission of HYCON Technology Corp. is strictly prohibited.

1. General Description

The series of HY2213 is created for multi-cell battery packs to single-cell lithium-ion battery Charge balance control, electrical level monitoring ICs and it also comprises high-accuracy voltage detection circuit and delay circuit.

2. Feature

HY2213 series IC equips with the following features:

(1) High Precision Voltage Detection Circuit

- Overcharge detection voltage 4.000~4.500V Precision: $\pm 25\text{mV}$
- Overcharge release voltage 3.800~4.500V Precision: $\pm 35\text{mV}$
- Standby detection voltage 2.70V Precision: $\pm 15\%$
- Standby release voltage 2.70V Precision: $\pm 15\%$

(2) Delay times are generated by an internal circuit (external capacitors are unnecessary).

(3) Low consumption current

- Operation mode Typ. value $2.5\mu\text{A}$, max. value: $3.5\mu\text{A}$ ($V_{\text{DD}}=3.9\text{V}$)
- Standby mode Max. value: $0.5\mu\text{A}$ ($V_{\text{DD}}=2.7\text{V}$)

(4) Wide operation temperature range: $-40^{\circ}\text{C} \sim +85^{\circ}\text{C}$

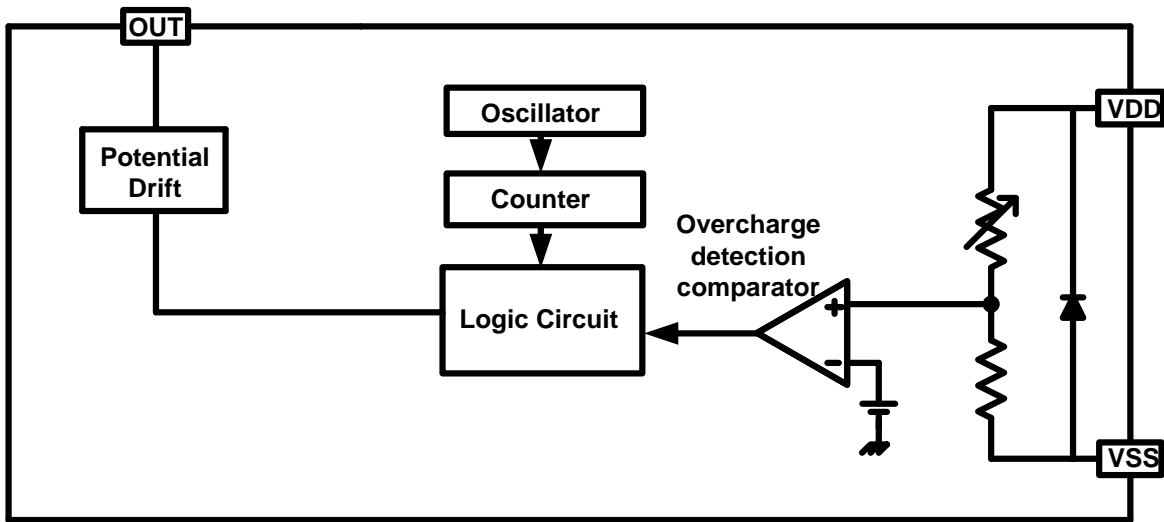
(5) Small package: SOT-23-6

(6) The HY2213 series are Halogen-free, green package

3. Application

- Multi-cell Li-ion rechargeable battery packs

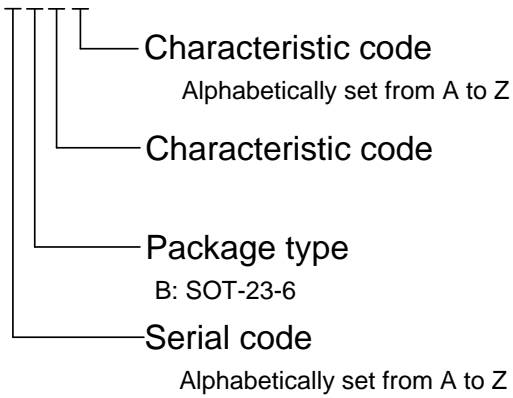
4. Block Diagram



5. Ordering Information

- Product Name Definition

HY2213—#%3&



6. Model List

6.1. Electrical Parameter Option

- SOT-23-6 Package

Table 1 Electrical Parameter Select Table

Parameter	Over-charge Detect Voltage	Over-charge Release Voltage	Characteristic Code
Model No.	V _{CU}	V _{CR}	-
HY2213-AB3B	4.200±0.025V	4.200-0.035V,4.200+0.025V	B
HY2213-BB3A	4.200±0.025V	4.190±0.035V	A
HY2213-CB3A	4.180±0.025V	4.180-0.035V,4.180+0.025V	A

Remark:

1. Table 1 lists various electrical parameters typical value, See Table 5 for each electrical parameter accuracy.
2. See Table 2 for other features characteristic code corresponding.
3. Please contact our sales office for the products with detection voltage value other than those specified above.

6.2. Characteristic Code- Other Function Option

Table 2 Characteristic Code

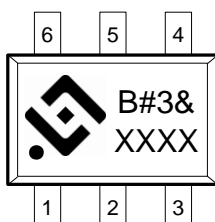
Characteristic Code	OUT Effective Action
A	Balance control N-MOSFET; OUT output status L→H effective
B	Balance control P-MOSFET; OUT output status H→L effective

7. Pin Configuration and Package Marking Information

- SOT-23-6 Package

Table 3 SOT-23-6 Package

Pin	Symbol	Description
1	NC	No connection
2	VDD	Power end, positive power input pin
3	VSS	Grounding end, negative power input pin
4	NC	No connection
5	NC	No connection
6	OUT	Charge balance, control MOSFET gate and connection end



- B: Product No.
- #: Serial code, from A~Z
- 3: Characteristic code
- &: Characteristic code, from A~Z
- XXXX: Traceability code

8. Electrical Characteristics

8.1. Absolute Maximum Ratings

Table 4 Absolute Maximum Rating (VSS=0V, Ta=25°C unless otherwise specified)

Item	Symbol	Rating	Unit
Input voltage between VDD and VSS pin	V _{DD}	VSS-0.3~VSS+10	V
OUT output voltage	V _{OUT}	VSS-0.3~VDD+0.3	V
Operating Temperature Range	T _{OP}	-40~+85	°C
Storage Temperature Range	T _{ST}	-40~+125	°C
Power dissipation	P _D	250	mW

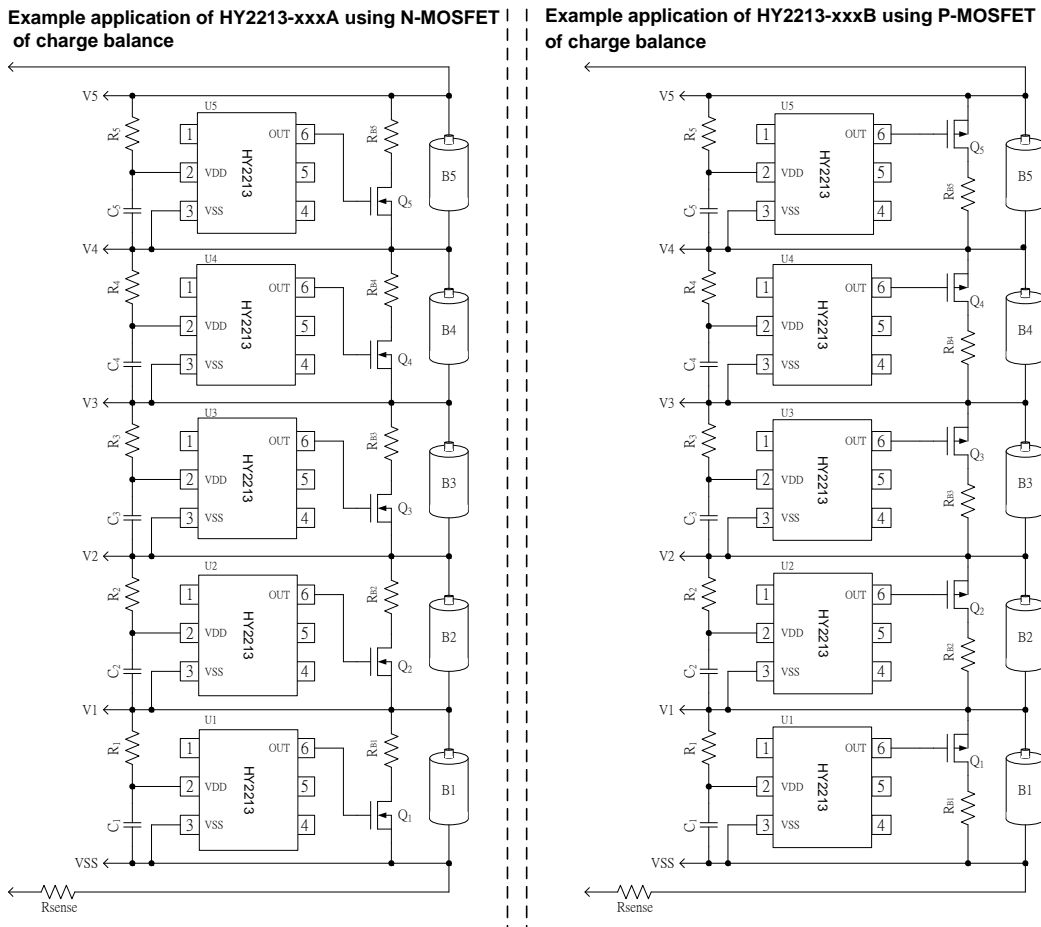
8.2. Electrical Characteristics

Table 5 Electrical Characteristics (VSS=0V, Ta=25°C unless otherwise specified)

Item	Symbol	Condition	Min.	Typ.	Max.	Unit
Input Voltage/Power Dissipation						
VDD-VSS Operation Voltage	V _{DSOP1}	-	1.5	-	8	V
Operation Current	I _{DD}	V _{DD} =3.9V	-	2.0	3.5	μA
Standby Current	I _{SB}	V _{DD} =2.0V	-	-	0.5	μA
Detection Voltage						
Overcharge Detection Voltage	V _{CU}	4.0~4.5V adjustable	V _{CU} -0.025	V _{CU}	V _{CU} +0.025	V
		4.0~4.5V adjustable -5°C~55°C (*1)	V _{CU} -0.035	V _{CU}	V _{CU} +0.035	V
Overcharge Release Voltage	V _{CR}	3.8~4.5V adjustable V _{CR} ≠V _{CU}	V _{CR} -0.035	V _{CR}	V _{CR} +0.035	V
		3.8~4.5V adjustable V _{CR} =V _{CU}	V _{CR} -0.035	V _{CR}	V _{CR} +0.025	V
Standby Release Voltage	V _{SB}		2.3	2.7	3.1	V
Delay Time						
Overcharge Detection Delay Time	T _{OC}	V _{DD} =3.9V→4.5V	200	250	300	ms
Control Pin Output Voltage						
OUT output high voltage	V _{OUT_H}		VDD-0.1	VDD-0.02	-	V
OUT output low voltage	V _{OUT_L}		-	0.1	0.5	V

Remark: *1 Parameters of this temperature range is design-guaranteed not actual test by high/low temperature.

9. Example Circuit of Battery Charge Balance IC Application



Symbol	Device Name	Purpose	Min.	Typ.	Max.	Remark
R₁₋₅	Resistor	Limit current, stabilize VDD and strengthen ESD protection	100Ω	100Ω	200Ω	*1
R_{B1-5}	Resistor	Charge balance flow loading				*2
C₁₋₅	Capacitor	Filter, stabilize VDD	0.01μF	0.1μF	1.0μF	*3
Q₁₋₅	MOSFET	Charge Balance Control	-	-	-	*4

*1. If R₁₋₅ connects with an over-spec resistor, battery accuracy may be influenced due to R₁₋₅ voltage drop that caused by current consumption. When a charger is connected in reversed, the current flows from the charger to the IC. At this time, if R₁₋₅ is too high, the voltage between VDD pin and VSS pin may exceed the absolute maximum rating.

*2. If R_{B1-5} connects with an under-spec resistor, the charge current will become large all of a sudden when battery voltage exceeded overcharge detection voltage (VCU), which may lead to charge over-current and the circuit will be protected and could not be charged.

*3. C₁₋₅ can stabilize the supply voltage of VDD, the value of C₁₋₅ should larger than 0.01μF.

*4. Select N-MOSFET or P-MOSFET according to different model no.

Caution:

- The above constants may be changed without notice, please download the most up-to-date datasheet on our website. <http://www.hycontek.com>
- It is advised to perform thorough evaluation and test if peripheral devices need to be amended.

10. Description of Operation

10.1. Normal Status

This IC continuously monitors the battery voltage connected between VDD and VSS to control charge balance operation. When battery voltage is higher than overcharge detection voltage (V_{CU}), OUT pin outputs low potential to control P-MOSFET or outputs high potential to control N-MOSFET. When battery voltage is under overcharge release voltage (V_{CR}), OUT pin outputs high potential to control P-MOSFET or outputs low potential to turn off N-MOSFET.

10.2. Overcharge Status

When charging a battery under normal operation, once cell voltage exceeds overcharge detection voltage (V_{CU}) and this status continues longer than overcharge detection delay time (T_{OC}), or when cell voltage is lower than overcharge release voltage (V_{CR}), HY2213 series will start or turn off the MOSFET (OUT pin) that is used for charging potential control, this status is called "Overcharge Status", also "Charge Balance Control".

There are two options of balancing control of MOSFET after overcharge status:

- (1) HY2213-xxxA series adopts N-MOSFET to implement charge balancing control
 - (a) Cell voltage exceeds overcharge detection voltage (V_{CU}) during charge process and lasts longer than overcharge detection delay time (T_{OC}), potential of OUT pin will generate L→H change to turn on N-MOSFET.
 - (b) Cell voltage is lower than overcharge release voltage (V_{CR}) during charge process, OUT pin will generate H→L change to turn off N-MOSFET.
- (2) HY2213-xxxB series adopts P-MOSFET to implement charge balancing control
 - (a) Cell voltage exceeds overcharge detection voltage (V_{CU}) during charge process and lasts longer than overcharge detection delay time (T_{OC}), potential of OUT pin will generate H→L change to turn on P-MOSFET.
 - (b) Cell voltage is lower than overcharge release voltage (V_{CR}) during charge process, OUT pin will generate L→H change to turn off P-MOSFET.

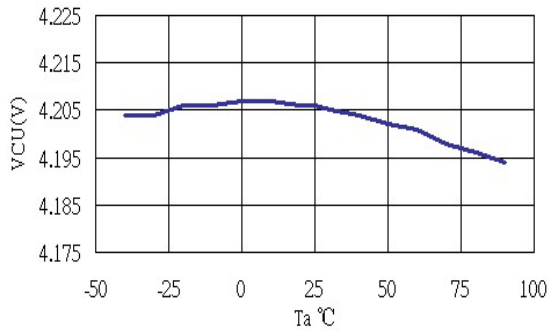
10.3. Standby Status

When discharging a battery under normal operation, cell voltage drops under standby detection voltage (V_{SB}), it will reduce IC current consumption to the same level as standby mode, and this is called "Standby Mode".

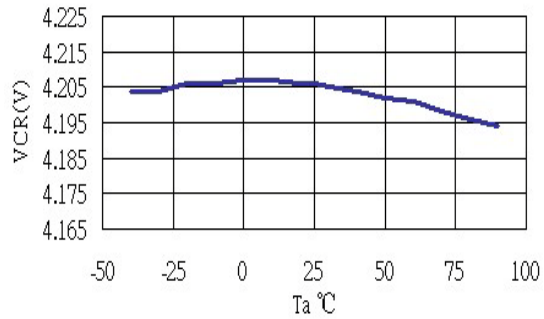
11. Characteristic Curve (Typical Value)

1. Overcharge detection voltage, overcharge release voltage and overcharge delay time, standby detection voltage

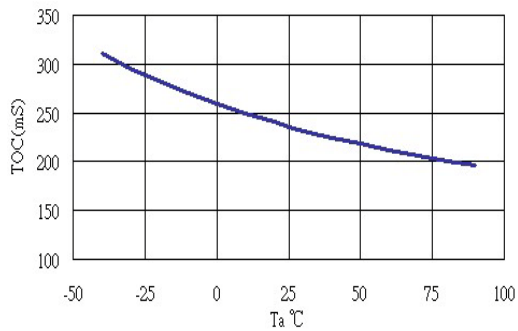
(1) V_{CU} vs. T_a



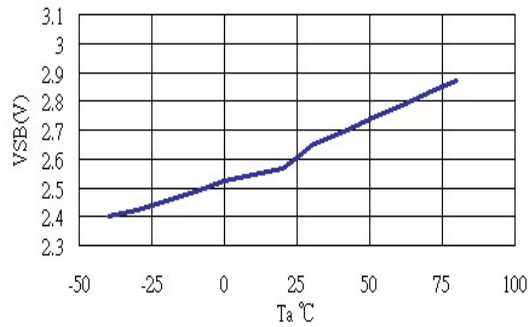
(2) V_{CR} vs. T_a



(3) T_{OC} vs. T_a

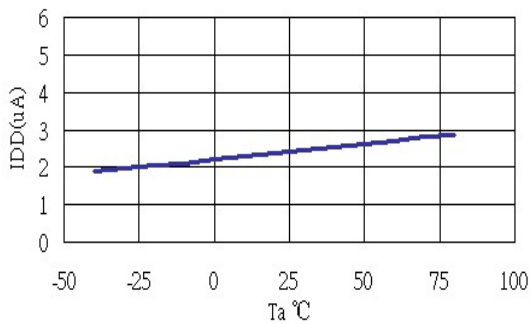


(4) V_{SB} vs. T_a

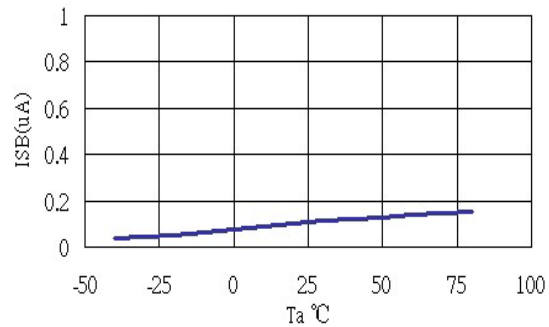


2. Power Consumption

(1) I_{DD} vs. T_a



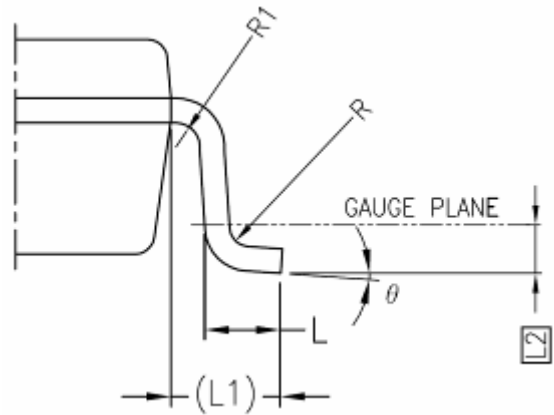
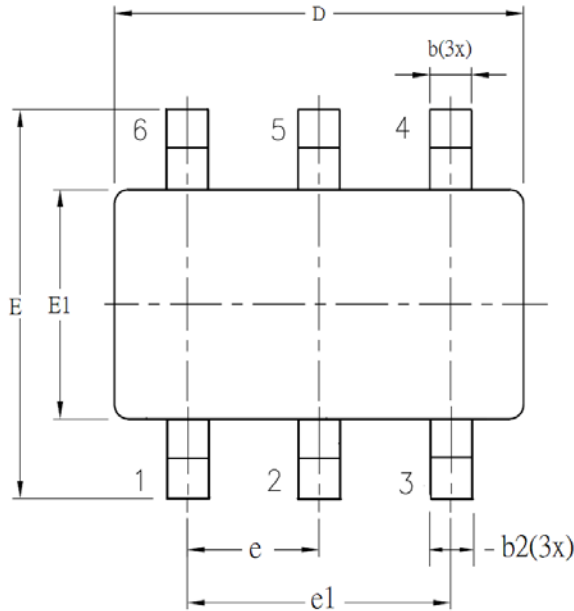
(2) I_{SB} vs. T_a



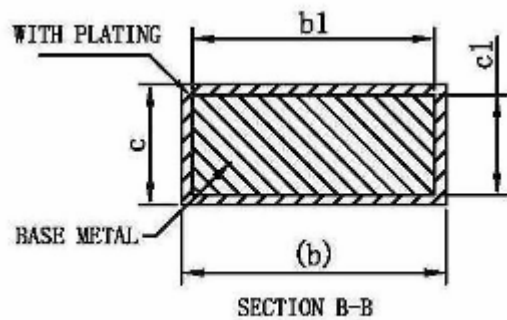
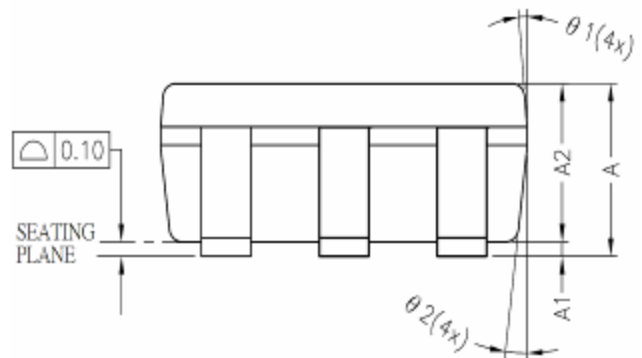
12. Package Information

12.1. SOT-23-6 Package

Unit: mm.



SYM BOL	ALL DIMENSIONS IN MILLIMETERS		
	MINIMUM	NOMINAL	MAXIMUM
A	-	1.30	1.40
A1	0	-	0.15
A2	0.90	1.20	1.30
b	0.30	-	0.50
b1	0.30	0.40	0.45
b2	0.30	0.40	0.50
c	0.08	-	0.22
c1	0.08	0.13	0.20
D	2.90 BSC		
E	2.80 BSC		
E1	1.60 BSC		
e	0.95 BSC		
e1	1.90 BSC		
L	0.30	0.45	0.60
L1	0.60 REF		
L2	0.25 BSC		
R	0.10	-	-
R1	0.10	-	0.25
θ	0°	4°	8°
θ1	5°	-	15°
θ2	5°	-	15°

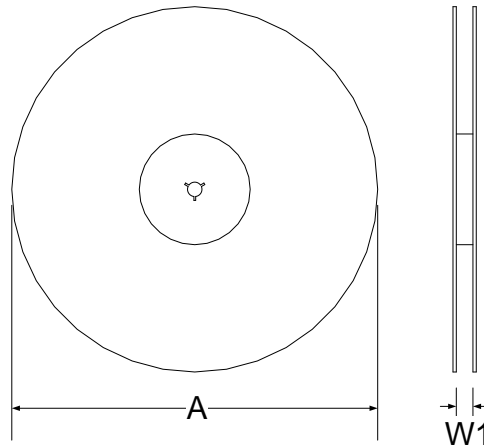


13. Tape & Reel Information

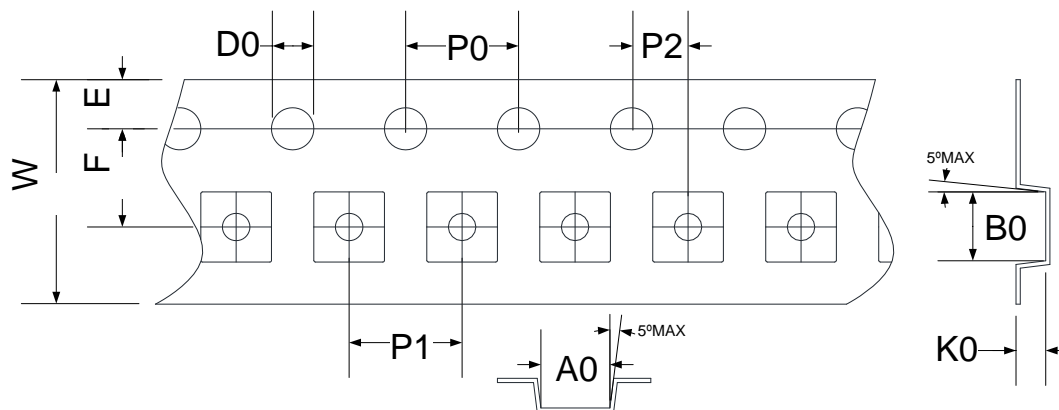
13.1. Tape & Reel Information ---SOT-23-6 (Type 1)

Description : Unit: mm ◦

13.1.1. Reel Dimensions



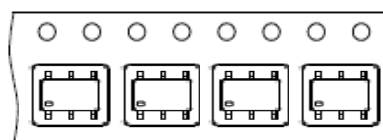
13.1.2. Carrier Tape Dimensions



SYMBOLS	Reel Dimensions		Carrier Tape Dimensions									
	A	W1	A0	B0	K0	P0	P1	P2	E	F	D0	W
Spec.	178	9.0	3.30	3.20	1.50	4.00	4.00	2.00	1.75	3.50	1.50	8.00
Tolerance	±0.50	+1.50/-0	±0.10	±0.10	±0.10	±0.10	±0.10	±0.05	±0.10	±0.05	+0.1/-0	±0.20

Note: 10 Sprocket hole pitch cumulative tolerance is ±0.20mm.

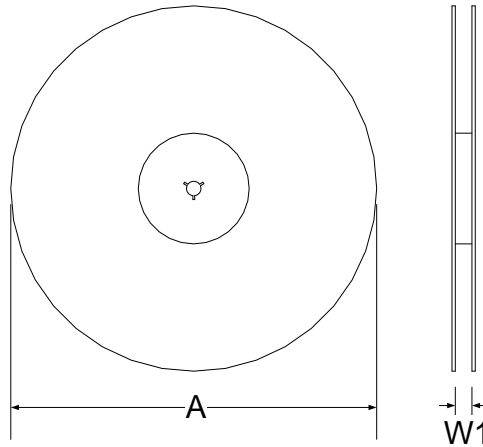
13.1.3. PIN1 direction



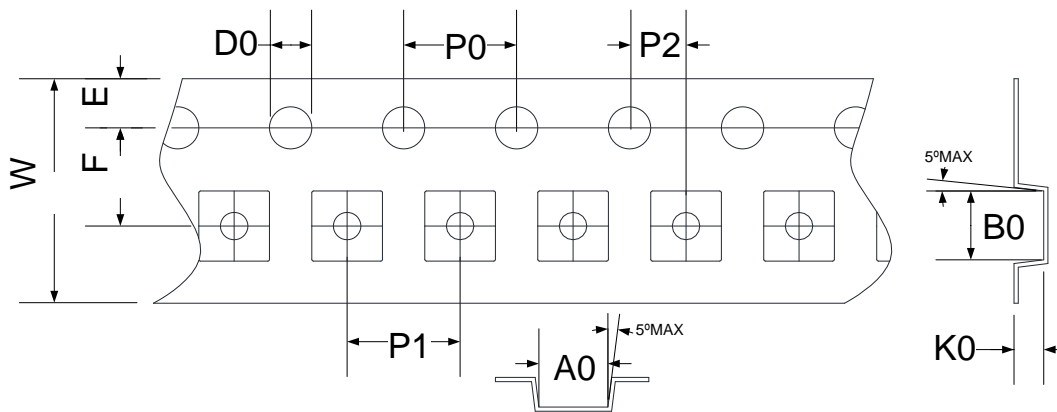
13.2. Tape & Reel Information ---SOT-23-6 (Type 2)

Description : Unit: mm ◦

13.2.1. Reel Dimensions



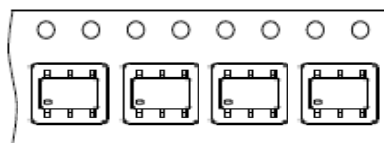
13.2.2. Carrier Tape Dimensions



SYMBOLS	Reel Dimensions		Carrier Tape Dimensions										
	A	W1	A0	B0	K0	P0	P1	P2	E	F	D0	W	
Spec.	178	9.4	3.17	3.23	1.37	4.00	4.00	2.00	1.75	3.50	1.55	8.00	
Tolerance	±2.00	±1.50	±0.10	±0.10	±0.10	±0.10	±0.10	±0.10	±0.10	±0.05	±0.05	±0.05	+0.30/-0.10

Note: 10 Sprocket hole pitch cumulative tolerance is ±0.20mm.

13.2.3. PIN1 direction



14. Revision History

Major differences are stated thereafter:

Version	Page	Revision Summary
V01	-	First Edition
V02	All	Revise Electrical Parameters.
V03	12-13	Add Tape & Reel information.
V04	8	Revise picture of Example Circuit of Battery Charge Balance IC Application.
V05	All	Revise Traceability code.