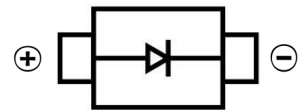


SUPER FAST RECOVERY RECTIFIER DIODE
FEATURES

- Glass passivated junction
- Low reverse leakage current
- Low forward voltage drop
- High current capability
- Super fast recovery time
- Surface Mount device


SMA

MECHANICAL DATA

- Case: SMA(DO-214AC)
- Case Material: Molded Plastic. UL flammability
- Classification Rating: 94V-0
- Weight: 0.065 grams (approximate)
- Marking:ES2G

MAXIMUM RATINGS AND CHARACTERISTICS(T_A = 25°C unless otherwise noted)

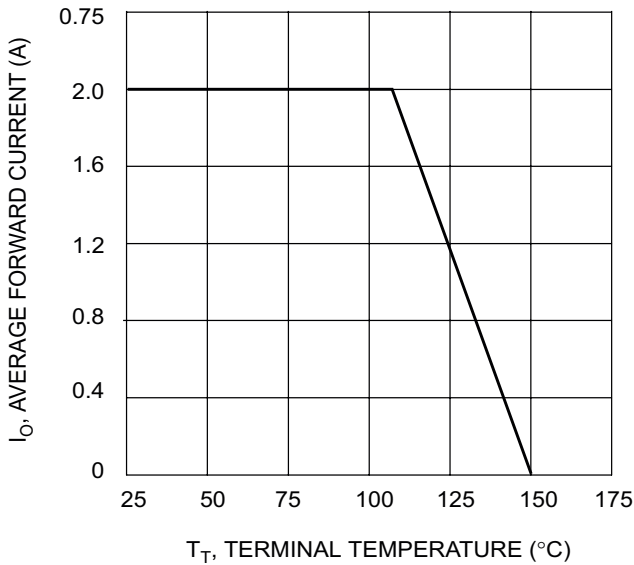
Parameter	Symbol	Value	Unit
Maximum Recurrent Peak Reverse Voltage	V _{RRM}	400	V
DC Blocking Reverse Voltage	V _R	400	V
RMS Reverse Voltage	V _{R(RMS)}	280	V
Maximum Average Forward Rectified Current	I _F	2	A
Non-Repetitive Peak Forward Surge Current @t=8.3ms	I _{FSM}	50	A
Thermal Resistance From Junction To Ambient	R _{θJA}	25	°C/W
Reverse Recovery Time(@I _F =0.5A, I _R =1.0A, I _{RR} =0.25A)	t _{rr}	35	nS
Junction Temperature	T _J	-55 ~+150	°C
Storage Temperature	T _{STG}	-55 ~+150	°C

ELECTRICAL CHARACTERISTICS (T_A = 25°C unless otherwise specified)

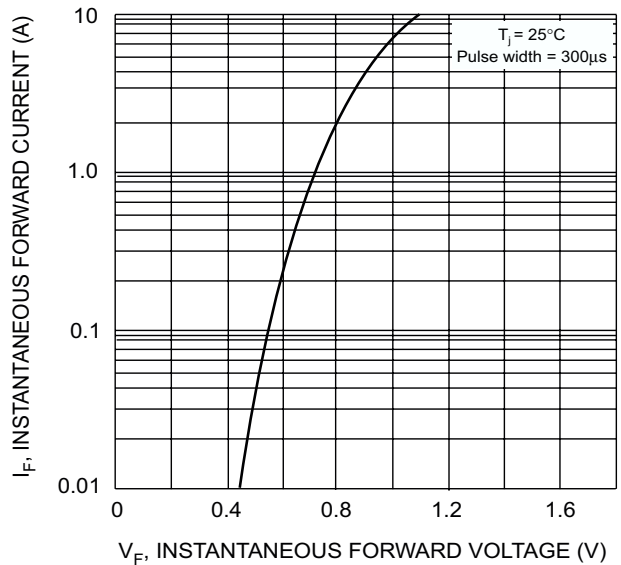
Parameter	Symbol	Min	Typ	Max	Unit	Conditions
Forward voltage	V _F			1.30	V	I _F =2A
Reverse current @T _A =25°C	I _R			5	μA	V _R =400V
Reverse current @T _A =125°C	I _R			350	μA	V _R =400V
Diode capacitance	C _D		20		pF	V _R =4V,f=1MHz

SUPER FAST RECOVERY RECTIFIER DIODE

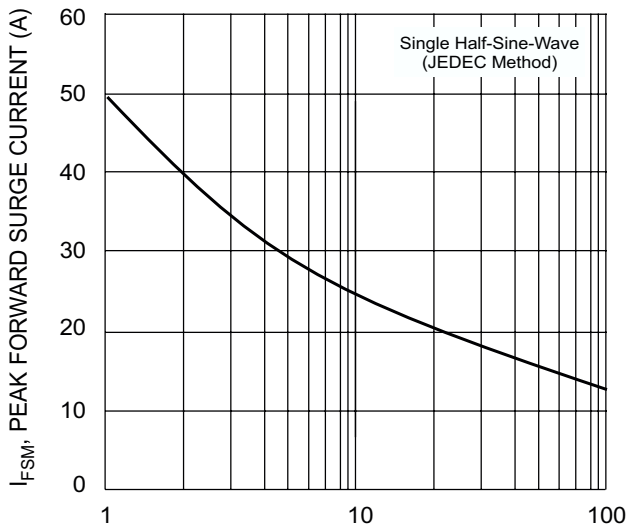
Typical Characteristics



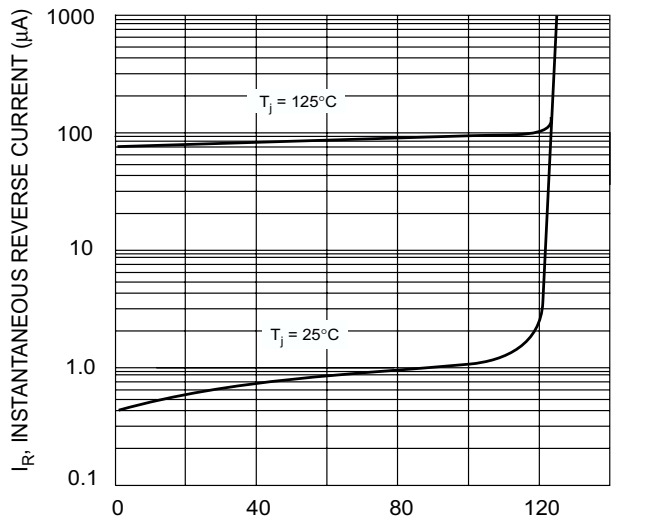
T_j , TERMINAL TEMPERATURE (°C)
Fig. 1 Forward Current Derating Curve



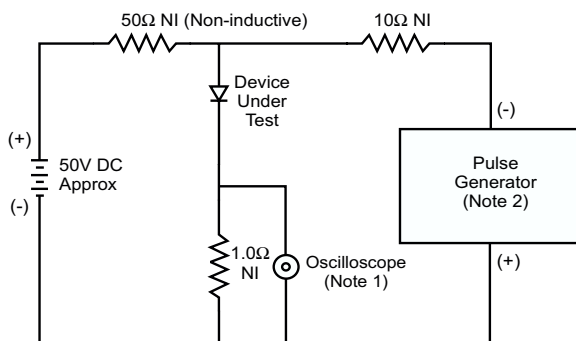
V_f , INSTANTANEOUS FORWARD VOLTAGE (V)
Fig. 2 Typical Forward Characteristics



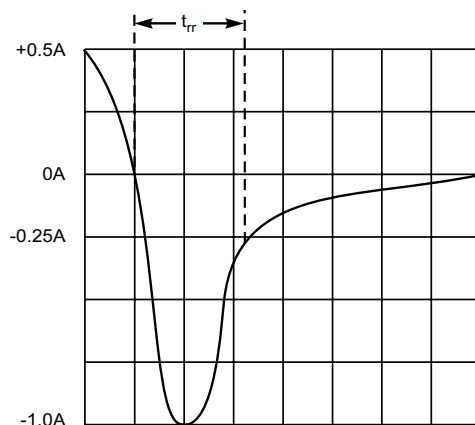
NUMBER OF CYCLES AT 60Hz
Fig. 3 Surge Current Derating Curve



PERCENT OF RATED PEAK REVERSE VOLTAGE (%)
Fig. 4 Typical Reverse Characteristics



Notes:
1. Rise Time = 7.0ns max. Input Impedance = 1.0MΩ, 22pF.
2. Rise Time = 10ns max. Input Impedance = 50Ω.

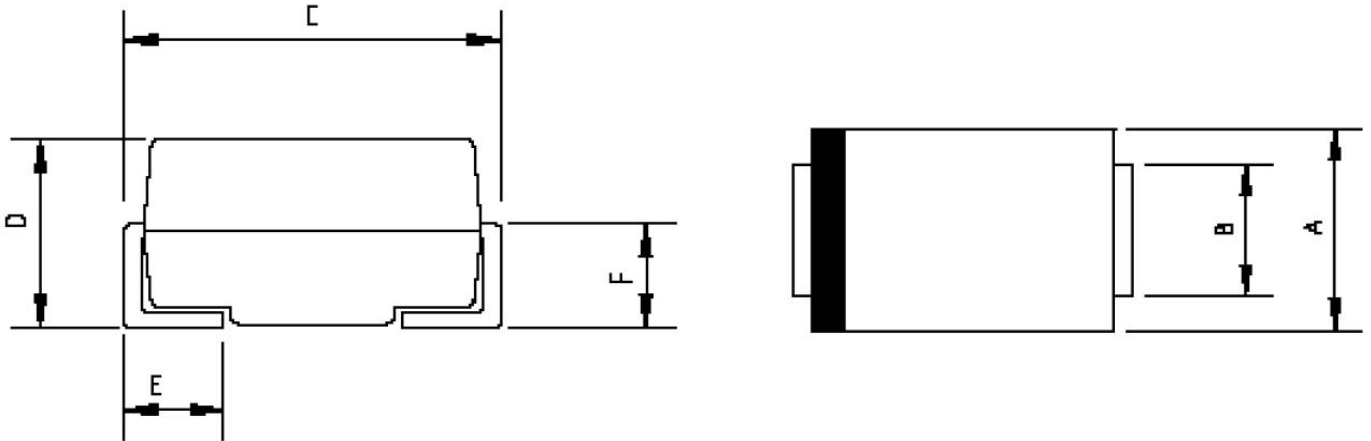


Set time base for 50/100 ns/cm

Fig. 5 Reverse Recovery Time Characteristic and Test Circuit

SUPER FAST RECOVERY RECTIFIER DIODE

SMA Package Outline Dimensions



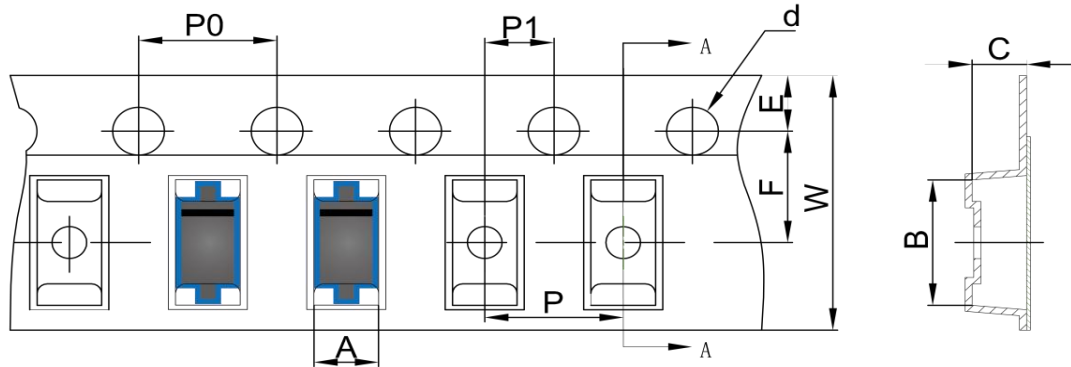
Symbol	Dimensions In Millimeters		Dimensions In Inches	
	Min.	Max.	Min.	Max.
A	2.20	2.80	0.086	0.110
B	1.30	1.70	0.051	0.067
C	4.70	5.30	0.185	0.209
D	1.70	2.55	0.067	0.100
E	0.90	1.50	0.035	0.059
F	0.90	1.50	0.035	0.059

SMA Suggested Pad Layout

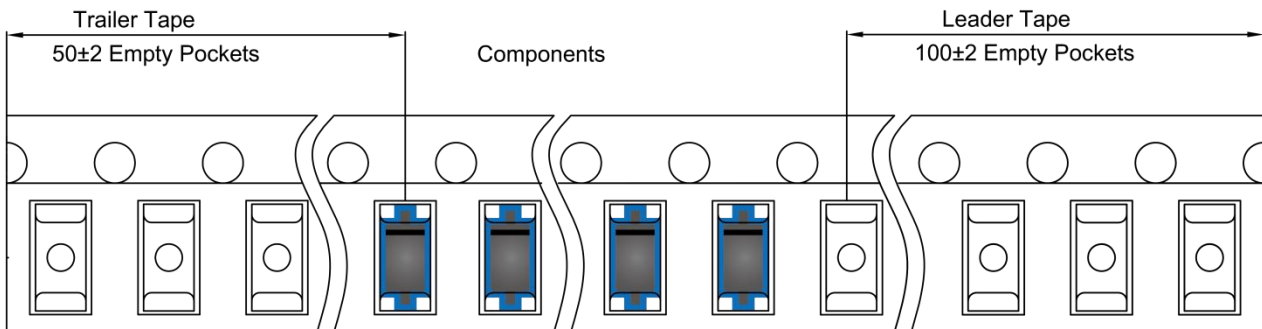
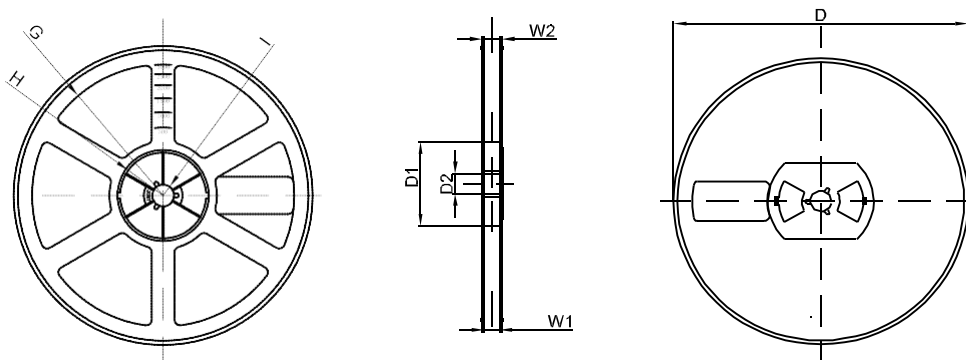


Note:

1. Controlling dimension: in millimeters
2. General tolerance: $\pm 0.05\text{mm}$
3. The pad layout is for reference purposes only

SUPER FAST RECOVERY RECTIFIER DIODE
SMA Tape and Reel
SMA Embossed Carrier Tape


DIMENSIONS ARE IN MILLIMETER										
TYPE	A	B	C	d	E	F	P0	P	P1	W
SMA	2.89	5.35	2.68	Ø1.50	1.75	5.50	4.00	4.00	2.00	12.00
TOLERANCE	±0.1	±0.1	±0.1	±0.1	±0.1	±0.1	±0.1	±0.1	±0.1	±0.1

SMA Tape Leader and Trailer

SMA Reel


DIMENSIONS ARE IN MILLIMETER								
REEL OPTION	D	D1	D2	G	H	I	W1	W2
7" DIA	Ø178	54.40	13.00	R78	R25.60	R6.50	12.40	17.60
TOLERANCE	±2	±1	±1	±1	±1	±1	±1	±1