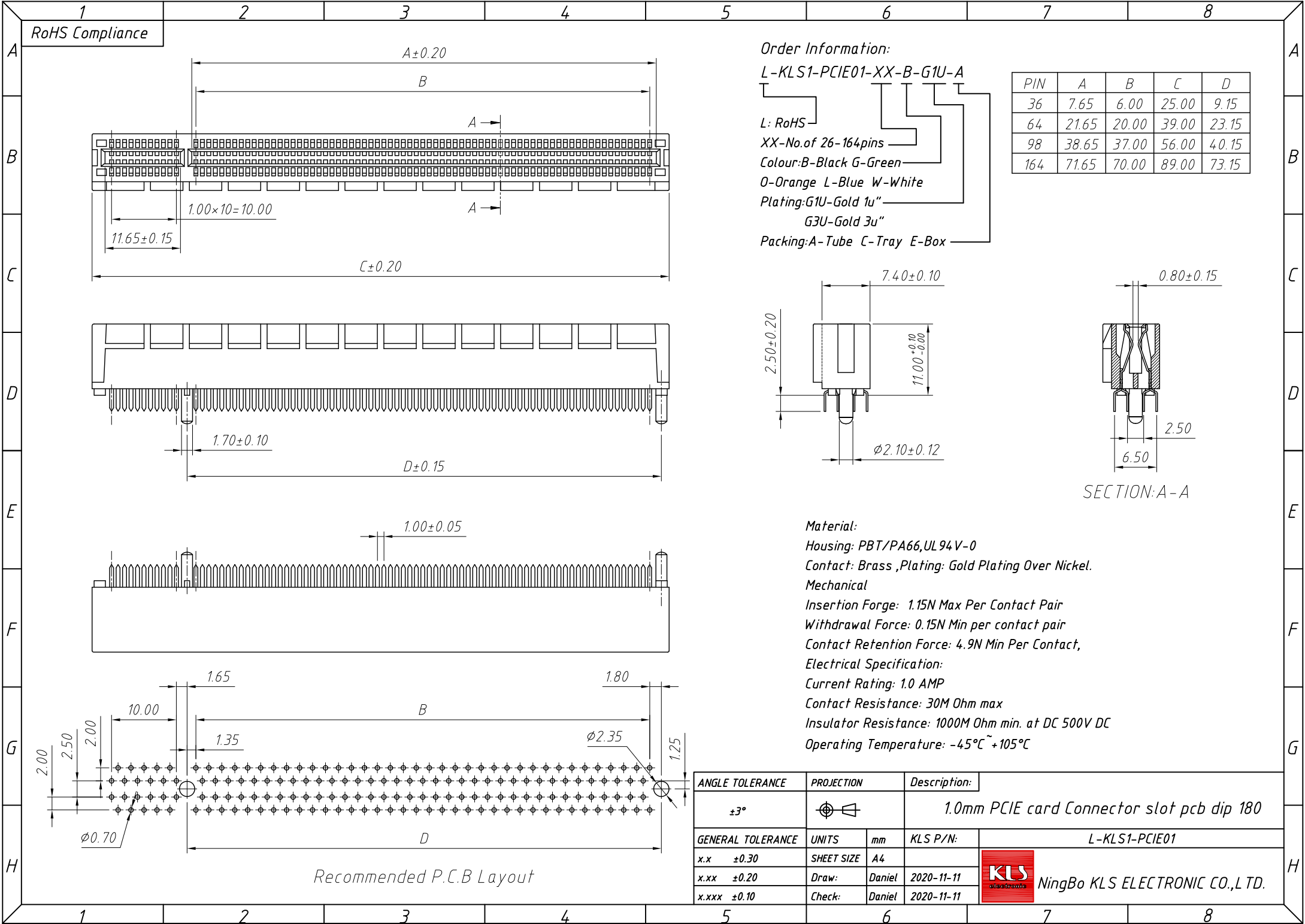


1 RoHS Compliance



Order Information:

L-KLS1-PCIE01-XX-B-G1U-A

L: RoHS

XX-No. of 26-164 pins

Colour: B-Black G-Green

O-Orange L-Blue W-White

Plating: G1U-Gold 1u"

G3U-Gold 3u"

Packing: A-Tube C-Tray E-Box

PIN	A	B	C	D
36	7.65	6.00	25.00	9.15
64	21.65	20.00	39.00	23.15
98	38.65	37.00	56.00	40.15
164	71.65	70.00	89.00	73.15

Material:

Housing: PBT/PA66, UL 94V-0

Contact: Brass, Plating: Gold Plating Over Nickel.

Mechanical

Insertion Force: 1.15N Max Per Contact Pair

Withdrawal Force: 0.15N Min per contact pair

Contact Retention Force: 4.9N Min Per Contact,

Electrical Specification:

Current Rating: 1.0 AMP

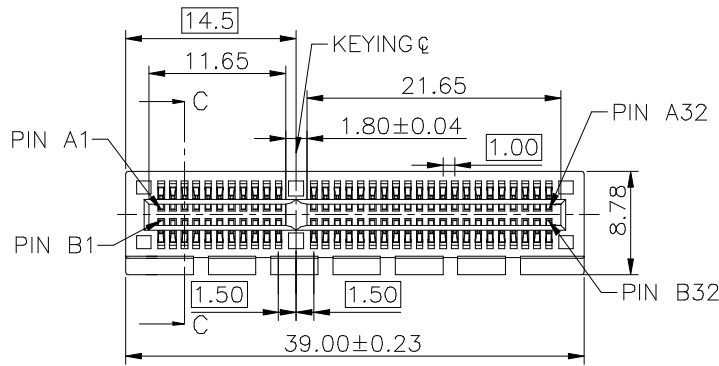
Contact Resistance: 30M Ohm max

Insulator Resistance: 1000M Ohm min. at DC 500V DC

Operating Temperature: $-45^{\circ}\text{C} \sim +105^{\circ}\text{C}$

ANGLE TOLERANCE	PROJECTION	Description:		
$\pm 3^{\circ}$		1.0mm PCIe card Connector slot pcb dip 180		
GENERAL TOLERANCE	UNITS	mm	KLS P/N:	L-KLS1-PCIE01
x.x ± 0.30	SHEET SIZE	A4		
x.xx ± 0.20	Draw:	Daniel	2020-11-11	
x.xxx ± 0.10	Check:	Daniel	2020-11-11	

NingBo KLS ELECTRONIC CO.,L TD.

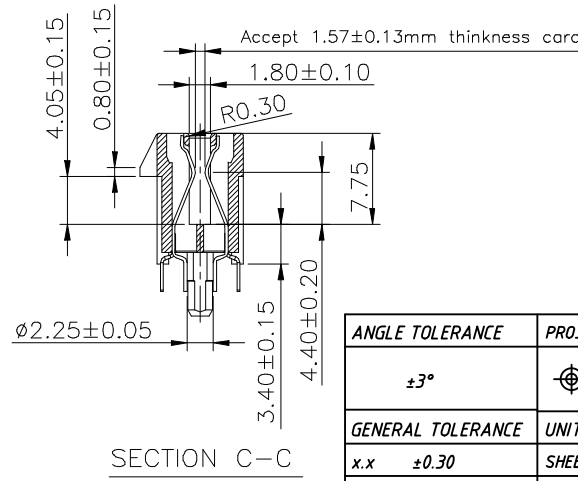
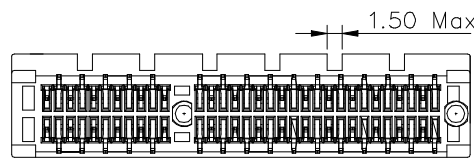
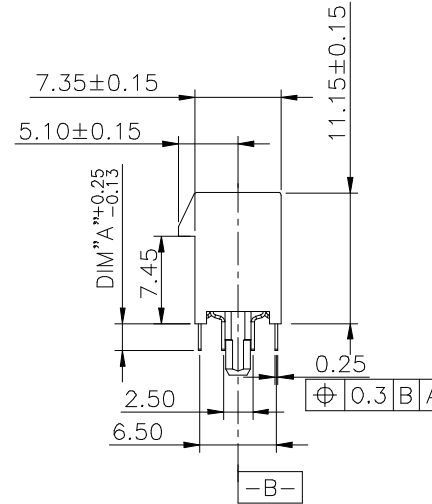
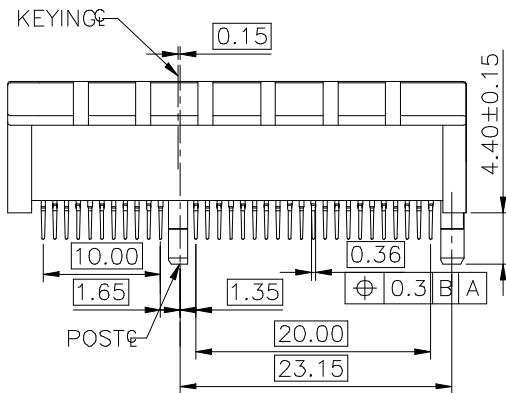


Wave Soldering:
 The Connector Shall Be Mounted On The PCB,
 The Temperature Of The Solder Shall BE 270°C
 And Immersion Duraton 6 Seconds

Material:
 Housing:High Temperature Thermoplastic
 Terminal:Phosphor Bronze C5191 Or
 C2680 ,T=0.25mm
 Plating:50u" Ni Plating Over All;
 100u" Matte Sn Plating On Solder Tail;
 Au Plating On Contact Area.

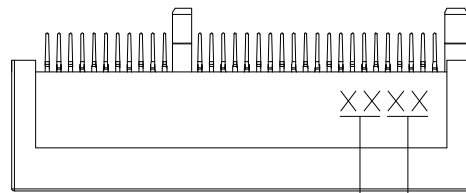
Electrical Specification:
 Contact Resistance:30mΩ Max
 Insulator Resistance:1000MΩ Min
 Dielectric Strength:500V DC/1Min
 Contact Current Rating:1.1 A Per Pin Min.

Mechanical Characteristics:
 Durability:50 Cycles
 Retention Force:0.40 kaf Min Per Pin
 Mating Force:1.1 5N Max Per Pair
 Unmating Force:0.15N Min Per Pair



Order Information:
 L-KLS1-PCIE01-64-B-G1U-E

L: RoHS
 PCIE card
 XX-No. of 64pins
 Color:B-Black
 Plating:
 G1U-Gold 1u" G3U-Gold 3u"
 Packing:
 A-Tube C-Tray E-Box

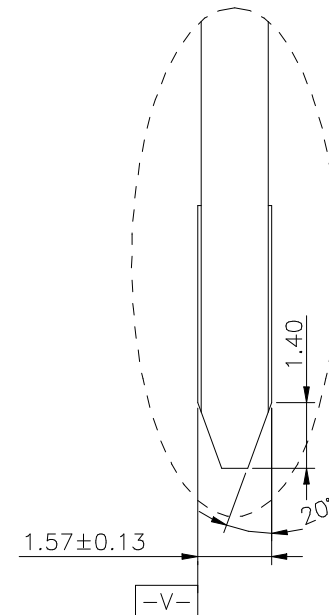
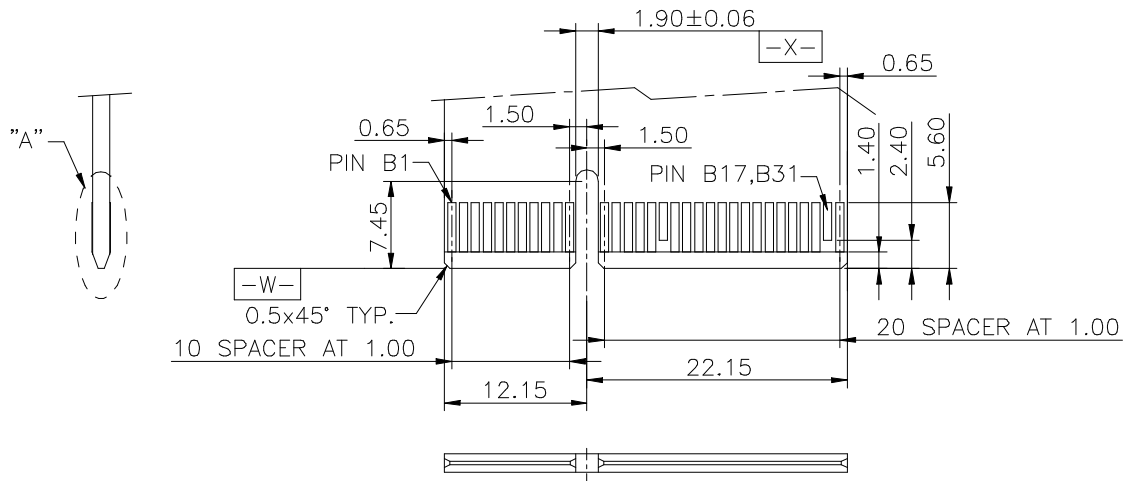


DATE CODE : WEEK YEAR

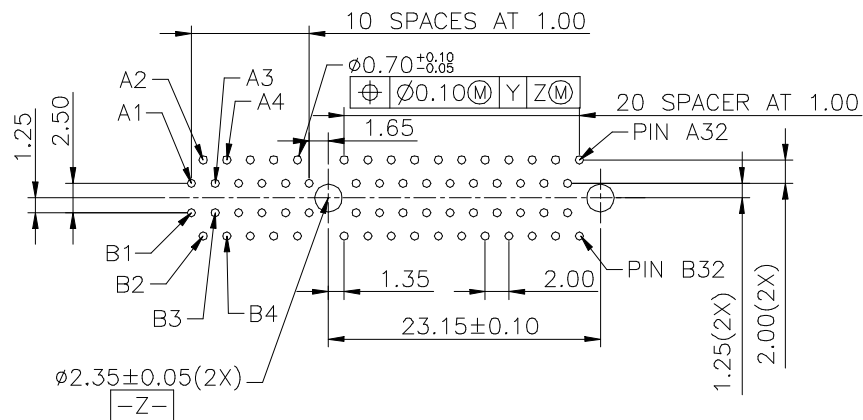
ANGLE TOLERANCE	PROJECTION	Description:
±3°		1.0mm Pitch PCI-Express card Connector 64P
GENERAL TOLERANCE	UNITS	mm
x.x ±0.30	SHEET SIZE	A4
x.xx ±0.20	Draw:	Daniel 2020-11-11
x.xxx ±0.10	Check:	Daniel 2020-11-11

KLS NingBo KLS ELECTRONIC CO.,LTD.

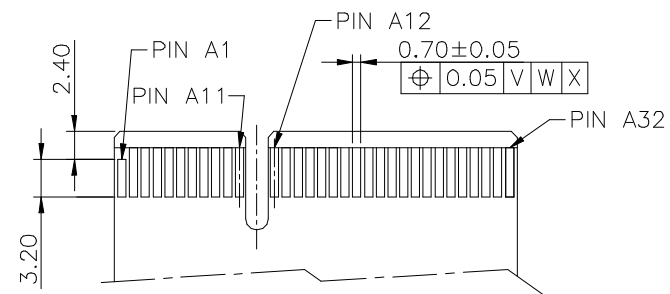
RoHS Compliance



DETAILE "A"
SCALE 4/1



RECOMMENDED FOOTPRINT(TOP VIEW)
DEFAULT TOLERANCE ±0.05.

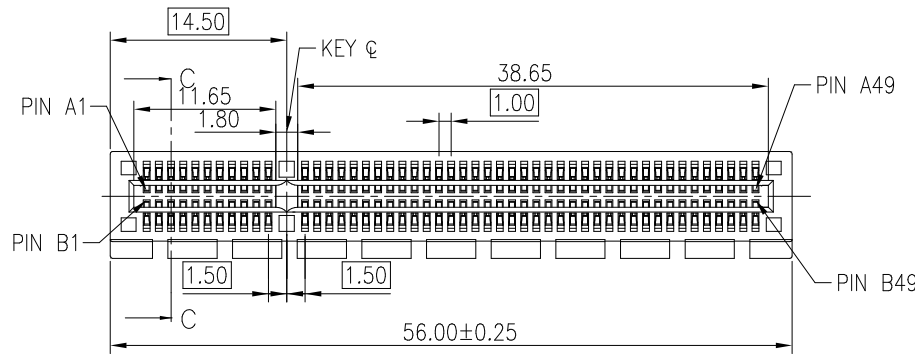


ADD-IN CARD EDGE-FINGER DIMENSIONS
DEFAULT TOLERANCE ±0.05.

ANGLE TOLERANCE	PROJECTION	Description:
±3°		1.0mm Pitch PCI-Express card Connector 64P
GENERAL TOLERANCE	UNITS	mm
x.x ±0.30	SHEET SIZE	A4
x.xx ±0.20	Draw:	Daniel 2020-11-11
x.xxx ±0.10	Check:	Daniel 2020-11-11



NingBo KLS ELECTRONIC CO.,LTD.



Wave Soldering:

The Connector Shall Be Mounted On The PCB,
The Temperature Of The Solder Shall BE $260\pm 5^{\circ}C$
And Immersion Duration 10 ± 2 Seconds

Material:

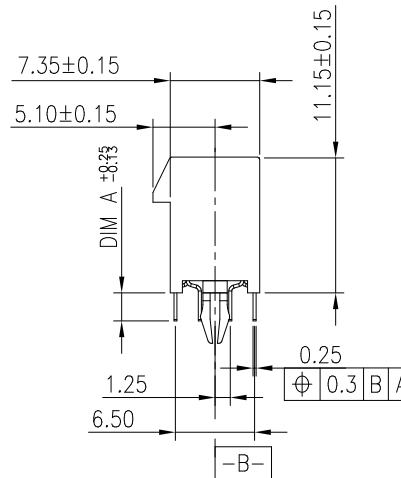
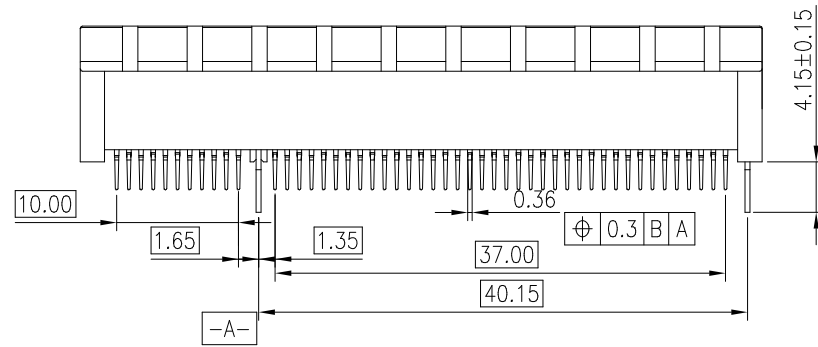
Housing: High/Low Temperature Thermoplastic
Terminal: Phosphor Bronze C5191 Or Brass C2680
Hook: Steel Alloy S50C
Plating:
Contact: Ni 50u" Min . Underplated Over All
Au Plated On Contact Area. (See Table)
Matte Sn 100u" Min. Plated On Solder Area
Look: Ni 50u" Min . Underplated Over All.

Electrical Specification:

Contact Resistance: $30m\Omega$ Max
Insulator Resistance: $1000M\Omega$ Min
Dielectric Strength: 500V DC/1Min
Contact Current Rating: 1.1 A Per Pin Min.

Mechanical Characteristics:

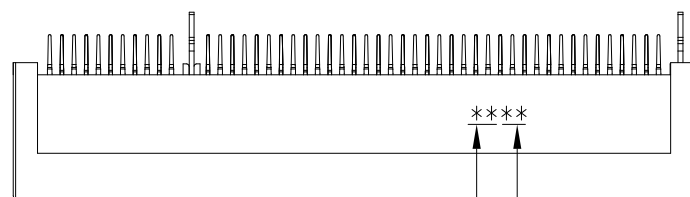
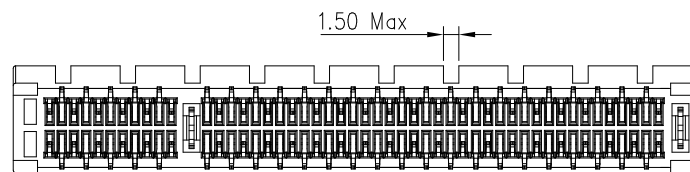
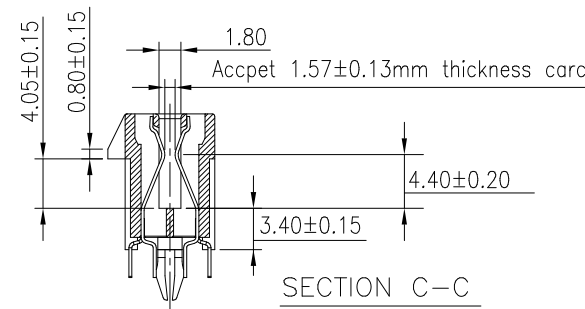
Durability: 50 Cycles
Retention Force: 0.40 kaf Min Per Pin
Mating Force: 1.15N Max Per Pair
Unmating Force: 0.15N Min Per Pair



Order Information:

L-KLS1-PCIE01-98-B-G1U-E

L: RoHS
PCIE card
XX-No. of 98pins
Color: B-Black
Plating:
G1U-Gold 1u" G3U-Gold 3u"
Packing:
A-Tube C-Tray E-Box

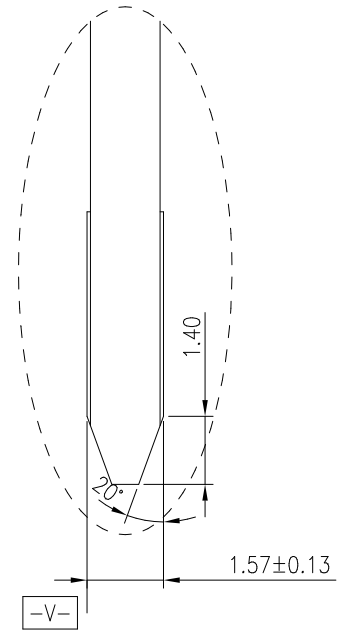
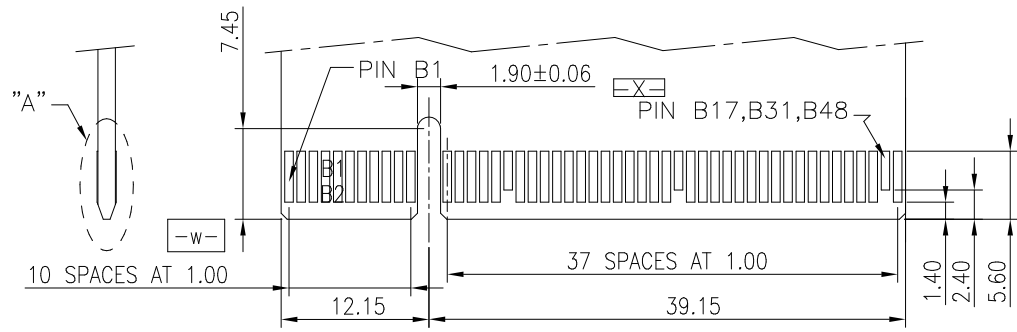


DATE CDOE: WEEK YEAR

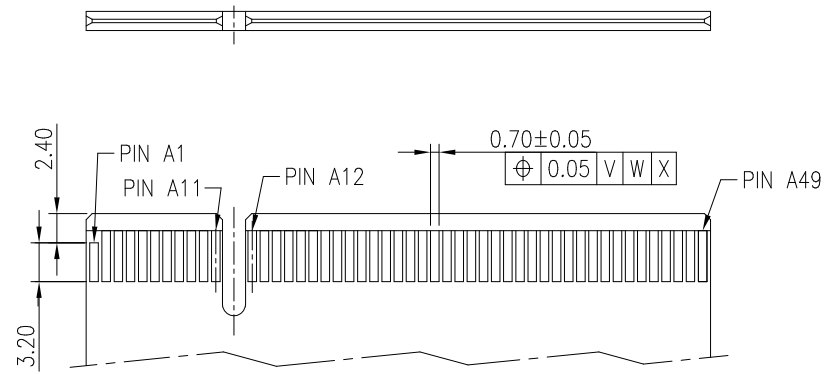
ANGLE TOLERANCE	PROJECTION	Description:
$\pm 3^{\circ}$		1.0mm Pitch PCI-Express card Connector 64P
GENERAL TOLERANCE	UNITS	mm
x.x	± 0.30	
x.xx	± 0.20	
x.xxx	± 0.10	
KLS P/N:	L-KLS1-PCIE01-98-B-G1U-E	
SHEET SIZE		A4
Draw:		Daniel 2020-11-11
Check:		Daniel 2020-11-11



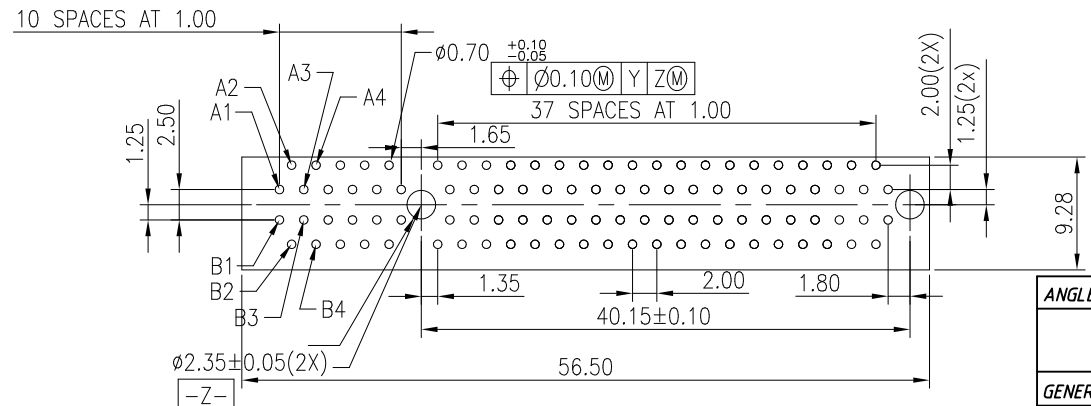
NingBo KLS ELECTRONIC CO.,LTD.



DETAIL "A"
SCALE 4/1



ADD-IN CARD EDGE-FINGER DIMENSIONS
DEFAULT TOLERANCE ±0.05



RECOMMENDED FOOTPRINT(TOP VIEW)
DEFAULT TOLERANCE ±0.05

ANGLE TOLERANCE	PROJECTION	Description:		
±3°		1.0mm Pitch PCI-Express card Connector 64P		
GENERAL TOLERANCE	UNITS	mm	KLS P/N: L-KLS1-PCIE01-98-B-G1U-E	
x.x ±0.30	SHEET SIZE	A4	NingBo KLS ELECTRONIC CO.,LTD.	
x.xx ±0.20	Draw:	Daniel		2020-11-11
x.xxx ±0.10	Check:	Daniel		2020-11-11