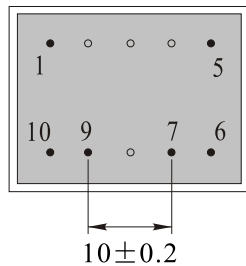
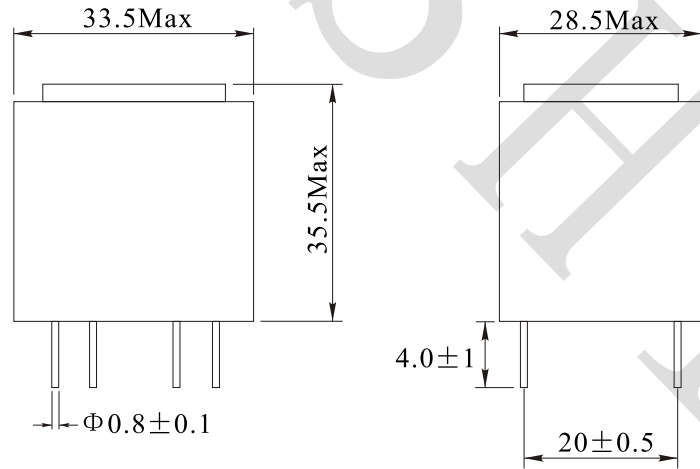
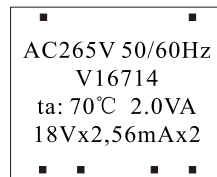


Rev.	Description	Date
A0	New release	2021.06.24

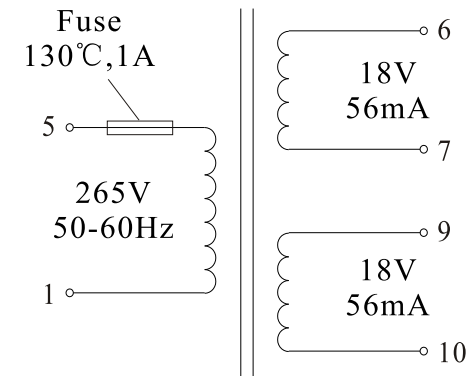
### 1. PHYSICAL CHARACTERISTICS (mm)



#### Marking



### 2. ELECTRONICAL SCHEMATIC



### 3. ELECTRONICAL SPECIFICATIONS

Pri voltage: 265V, 50Hz

Noload sec voltage: 6-7: 26V ± 5%

9-10: 26V ± 5%

Load Sec voltage: 6-7: 18V ± 5% @ 56mA

9-10: 18V ± 5% @ 56mA

Hi-Pot: 4000V, 50Hz, 1mA, 10S Pri to Sec

NAME:	Potting Transformer		
CUSTOMER P/N:	V16714	DATE:	2023-04-12
SHINHOM P/N:	PE302305	REV: A0	PAGE
DRAWN BY	CHECKED BY	APPROVE BY	



**SHINHOM**  
SHAANXISHINHOM ENTERPRISE CO LTD

The Document property belong to SHINHOM & is not allowed to be duplicated without authorization