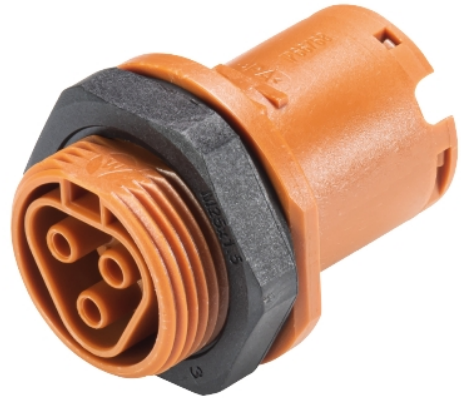


Data sheet

Commercial Art.No.: 96.031.1051.4

Device connector RST20i3F B2 M01 L BR0

RST20i3 device connector M25, 3 pole, female, spring clamp connection, application ~50V/-120V with PE, 20A, coding color signal brown



| | |
|--------------------|---------------|
| Commercial Art.No. | 96.031.1051.4 |
| EAN | 4015573955011 |
| Order Unit | 1 |

Technical data

General

| | |
|----------------------------------|----------------------------------|
| Rated current | 20 A |
| Rated voltage | 50 V / 120 V |
| Pollution degree | 3 |
| Rated impulse voltage | 4 kV |
| Lockable | self-locking (unlocking by tool) |
| Color of coding/ contact carrier | signal brown |
| Marking of poles | 1, 2, PE |

Connection Data

| | |
|---|---------------------|
| Connection cross section solid mm ² max. | 2.5 mm ² |
| Connection cross section solid mm ² min. | 0.5 mm ² |
| Connection cross section solid AWG min. | 20 AWG |
| Connection cross section solid AWG max. | 14 AWG |
| Connection cross section fine stranded mm ² max. | 1.5 mm ² |
| Connection cross section fine stranded mm ² min. | 0.5 mm ² |
| Terminations per pole | 2 |
| Wire strip length | 14.5 mm |
| Connection cross section stranded AWG min. | 20 AWG |
| Connection cross section stranded AWG max. | 16 AWG |

Model

| | |
|---------------------------|-------------------------|
| Model | female |
| Connection type | spring clamp connection |
| Connecting thread metric | M25 |
| Angle of plug | straight |
| Degree of protection (IP) | IP66/68 (3m;2h) /IP69 |

| | |
|---|--------|
| Thickness of housings (electrical device) 2 | 0.5 mm |
| Thickness of housings (electrical device) | 8 mm |

Material

| | |
|--|---------------|
| Housing material | Polyamide |
| halogen free | yes |
| Contact material | CuZn |
| Fire load | 0.139 kWh |
| Insulation components continuous temperature | 100 °C |
| Surface finish | Silver-plated |

Dimensions

| | |
|--------|---------|
| Length | 46.6 mm |
| Width | 35 mm |
| Height | 35 mm |

Classification

| | |
|------------|----------|
| ECLASS 11 | |
| ECLASS 8.1 | 27440602 |
| ETIM 7.0 | EC002566 |
| ETIM 6.0 | EC002566 |
| ETIM 5.0 | EC002566 |
| ETIM 4.0 | EC002566 |

Note

| | |
|------|---|
| Note | Fine stranded and stranded conductors require cable end sleeve; Positioning realised with flattened thread |
|------|---|

Product compliance

| | |
|------------------------------|--------------------|
| ROHS conformity status | Compliant/Exempted |
| ROHS exceptions | III-6(c) |
| REACH-SVHC conformity status | Duty-To-Declare |
| REACH-SVHC substances | Lead |
| REACH-SVHC CAS numbers | 7439-92-1 |

Accessories

| Commercial Art.No.: | Article-type description: | Description: |
|---------------------|---|---|
| 06.502.4300.0 | screwdriver DIN 5264 A 0,4 X 2,5 | Screw driver according to DIN 5264 A, blade: 0.4x2.5 mm, long and straight version |
| 95.101.1300.0 | ferrule crimping tool 0,08 - 10 mm ² | Crimping tool for ferrules, wire strip length: 7-28 mm, nominal cross section: 0,08-10 mm ² , length of tool: 180 mm |
| 06.600.3627.0 | ferrules DIN 46228-E1-12 | RST end sleeve, for spring clamp contact, with insulating sleeve, for cross section 1.0 mm ² /AWG17 |
| 06.600.3727.0 | ferrules DIN 46228-E0,75-12 | RST end sleeve, for spring clamp contact, with insulating sleeve, for cross section 0.75-1.0 mm ² /AWG17 |
| 06.600.3827.0 | ferrules DIN 46228-E0,5-10 | RST end sleeve, for spring clamp contact, with insulating sleeve, for cross section 0.5 mm ² /AWG20 |

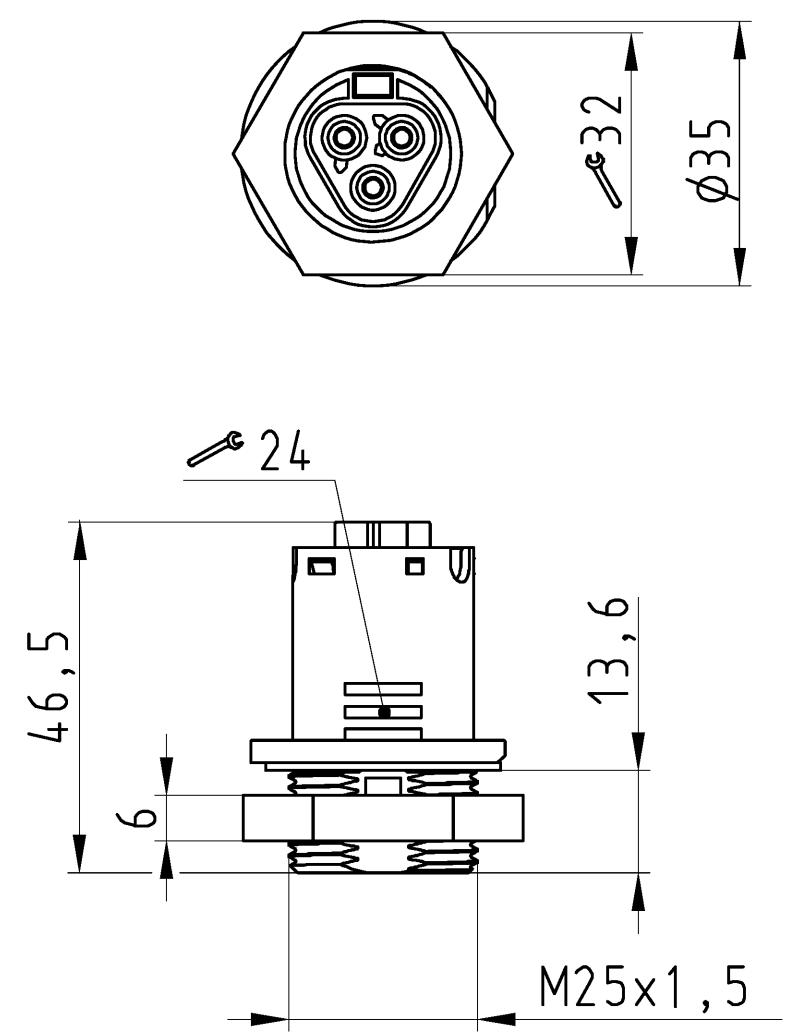
| | | |
|---------------|-------------------------------|--|
| 06.600.3927.0 | ferrules DIN 46228-E1,5-12 | RST end sleeve, for spring clamp contact, with insulating sleeve, for cross section 1.5 mm ² /AWG16 |
| 05.566.5253.1 | Spacer ring RST | RST20/25 distance ring, for device connectors to ensure unlocking with screwdriver, color black |
| 99.414.6205.2 | Cover for female connector SW | RST20i3/2 cover piece, for covering unused female connectors, with fastening belt, color schwarz |
| Z5.564.4553.1 | Cover for female connector SW | RST20i3/2 cover piece, for covering unused female connectors, color black |
| 05.564.8653.1 | Opener RST20i3/i5 SCHWARZ | Manual disconnect for later installation of RST connectors, color black |

Fits with

| Commercial Art.No.: | Article-type description: | Description: |
|---------------------|-----------------------------------|--|
| 96.032.0051.4 | Connector RST20i3F S2 ZR1SVL BR0 | RST20i3 connector, 3 pole, male, spring clamp connection, application ~50V/-120V with PE, 20A, for cable diameters 6-10mm, coding color signal brown, color of housing black |
| 96.032.0151.4 | Connector RST20i3F S2 ZR2SVL BR0 | RST20i3 connector, 3 pole, male, spring clamp connection, application ~50V/-120V with PE, 20A, for cable diameters 10-14mm, coding color signal brown, color of housing black |
| 96.034.0051.4 | Connector RST20i3F S2 YR1SVL BR01 | RST20i3 connector (90° angled), 3 pole, male, spring clamp connection, application ~50V/-120V with PE, 20A, for cable diameters 6-10mm, coding color signal brown, color of housing black |
| 96.034.0151.4 | Connector RST20i3F S2 YR2SVL BR01 | RST20i3 connector (90° angled), 3 pole, male, spring clamp connection, application ~50V/-120V with PE, 20A, for cable diameters 10-14mm, coding color signal brown, color of housing black |
| 96.032.0251.4 | Connector RST20i3F S2 ZRXSVL BR01 | RST20i3 splitter connector, 3 pole, male, spring clamp connection, application ~50V/-120V with PE, 20A, for cable diameters 6-10mm, coding color signal brown, color of housing black |

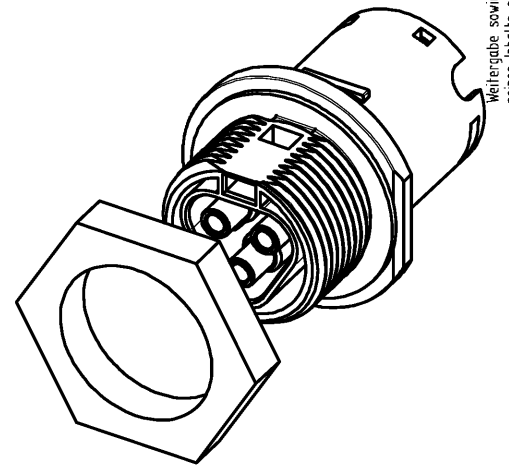
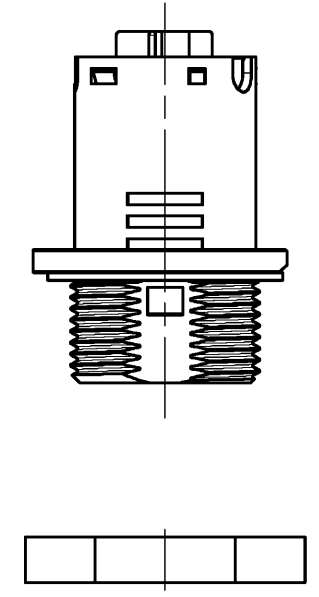
These dimensions will be especially checked at delivery
 Only inspection dimensions
 With /E marked dimensions are only valid for internal use

Diese Maße werden bei Abnahme besonders geprüft
 Ausschließlich Prüfmaße
 Mit /E gekennzeichnete Maße sind nur für interne Zwecke gültig



Öffnungsbild siehe 96.031.1053.1 14K
 opening dimension see 96.031.1053.1 14K

Auslieferungszustand
 delivery status



Verpackungseinheit: je 100 Stück
 packaging unit: per 100

| | | |
|---|------------------------|---|
| 96.031.1051.4 | RST2013F B2 M01 L BR01 | signalbraun /signalbrown |
| Bestellnummer /Order number | Typ /Type | Farbe /color |
| Weitere Daten siehe KATALOG oder eKatalog. Additional data see CATALOG or eCatalog. | | www.wieland-electric.com eshop.wieland-electric.com |

| | | | |
|---|--|---|-------------------------------|
| Tolerierung Size ISO 14405(®)/Tolerance system Size ISO 14405(®). (This ISO-standard describes the envelope principle. According to the envelope principle the deviations of form and parallelism are limited by the size tolerances). | | ja/yes <input checked="" type="checkbox"/> Stoffverbots- und Deklarationsliste nach WN 5020.010 ist einzuhalten. Conformity with Wieland document WN 5020.010 e (list of prohibited / declarable hazardous substances) to be declared! | |
| Freitoleranz nach General tolerance | | CAD - Zeichnung, keine manuellen Änderungen CAD - drawing, no manual modifications allowed | 1.Verwendung: - First Use: |
| Blatt: 1 von 1 Sheet: of 1 | | Zeichnung Nr./Drawing No. 96.031.1051.4 13K | |
| Maßstab/Scale 1:1 | | Name HoffmannT | |
| Vol. mm³ Of l./Surf. mm² | | Ersatz für/Replacement for: - | |
| www.wieland-electric.com | | Benennung/Title BUCHSENTEIL female connector | |
| Änderung/Revision | | Index Datum / Blatt Date / Sheet | |

Weitergabe sowie Vervielfältigung dieses Dokuments, Verwertung und Mitteilung seines Inhalts sind verboten, soweit nicht ausdrücklich gestattet.
 The reproduction, distribution and utilization of this document as well as the communication of its contents to others without express authorization is prohibited.