

## Data sheet

Commercial Art.No.: 96.052.4554.3

Connector RST25i5S S1 ZR3SV BG03

RST25i5 connector, 5 pole, screw connection, application 250/400V with PE, 25A, for cable diameters 13-18mm, coding color concrete grey, color of housing black



Commercial Art.No.	96.052.4554.3
EAN	4015573890169
Order Unit	1

Certificates / Approvals



LR

RINA



## Technical data

### General

Rated current	25 A
Rated voltage	250 V / 400 V
Rated impulse voltage	4 kV
strain relief	yes
Pollution degree	3
Lockable	self-locking (unlocking by tool)
Color of coding/ contact carrier	concrete grey
Marking of poles	L, N, PE, 1, 2
Color of housing inclusive strain relief	black

### Connection Data

Cable diameter max.	18 mm
Cable diameter min.	13 mm
Connection cross section solid mm <sup>2</sup> max.	4 mm <sup>2</sup>
Connection cross section solid mm <sup>2</sup> min.	0.75 mm <sup>2</sup>
Connection cross section solid AWG min.	18 AWG
Connection cross section solid AWG max.	14 AWG
Connection cross section fine stranded mm <sup>2</sup> max.	4 mm <sup>2</sup>
Connection cross section fine stranded mm <sup>2</sup> min.	0.75 mm <sup>2</sup>
Terminations per pole	1
sheath strip length	37 mm
Wire strip length	8 mm

### Model

Model	male
Connection type	screw connection

Degree of protection (IP)	IP66/68 (3m;2h) /IP69
---------------------------	-----------------------

#### Material

Housing material	Polyamide
halogen free	yes
Contact material	CuZn
Fire load	0.362 kWh
Insulation components continuous temperature	100 °C
Surface finish	Silver-plated

#### Dimensions

Length	94.6 mm
Width	35.4 mm
Height	35.4 mm

#### Classification

ECLASS 11	
ECLASS 8.1	27440605
ETIM 7.0	EC002560
ETIM 6.0	EC002560
ETIM 5.0	EC002560
ETIM 4.0	EC002560

#### Note

Note	fine-stranded and stranded wires have to be used without ferrules
------	---

#### Product compliance

ROHS conformity status	Compliant/Exempted
ROHS exceptions	III-6(c)
REACH-SVHC conformity status	Duty-To-Declare
REACH-SVHC substances	Lead
REACH-SVHC CAS numbers	7439-92-1

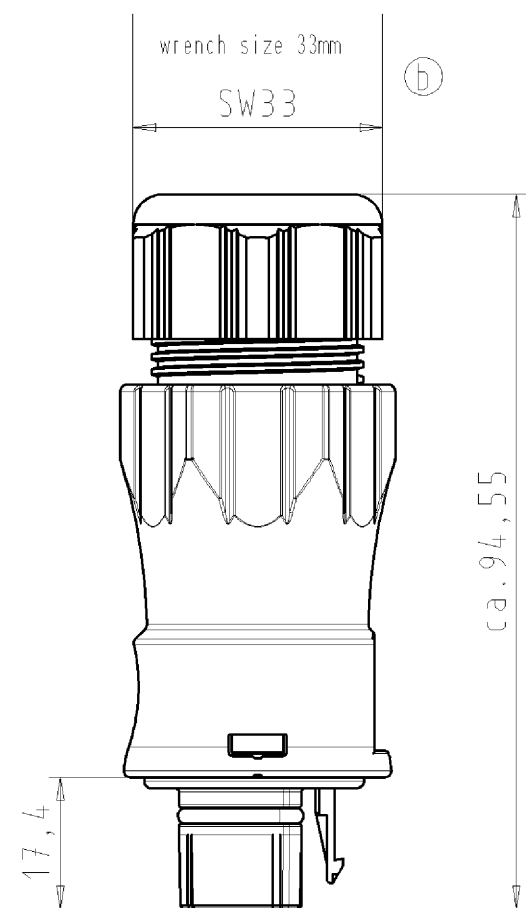
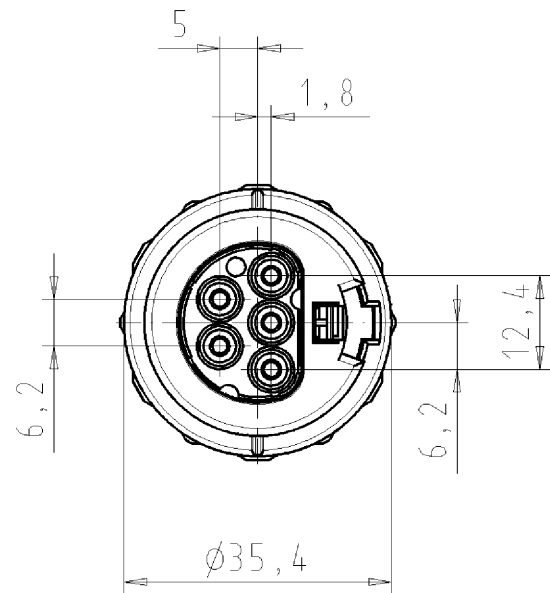
#### Fits with

Commercial Art.No.:	Article-type description:	Description:
96.051.4554.3	Connector RST25I5S B1 ZR3S BG03	RST25i5 connector, 5 pole, screw connection, application 250/400V with PE, 25A, for cable diameters 13-18mm, coding color concrete grey, color of housing black
96.834.1000.3	Cable assembly RST25I3KSBS 40P 10BG03	RST25i3 extension cable female - male, 3 pole, assembled with screw connection, application 250V with PE, 25A, cable type H05VV-F, length 1.0m, cross section 4.0mm <sup>2</sup> , coding color concrete grey
96.051.5054.3	Device connector RST25I5S B1 M01V BG03	RST25i5 device connector M25, 5 pole, female, screw connection, application 250/400V with PE, 25A, coding color concrete grey
96.051.6054.3	Device connector RST25I5S B1 M00 BG03	RST25i5 device connector M20, 5 pole, female, screw connection, modular, application 250/400V with PE, 25A, coding color concrete grey, color of housing black
96.051.6154.3	Device connector RST25I5S B1 M03 BG03	RST25i5 device connector M16, 5 pole, female, screw connection, modular, application 250/400V with PE, 25A, coding color concrete grey, color of housing black

96.053.6054.3	Device connector RST25I5S B1 M90 BG03	RST25i5 device connector (90° angled) M20, 5 pole, female, screw connection, modular, application 250/400V with PE, 25A, coding color concrete grey, color of housing black
96.053.6254.3	Device connector RST25I5S B1 M91 BG03	RST25i5 device connector (90° angled) M25, 5 pole, female, screw connection, modular, application 250/400V with PE, 25A, coding color concrete grey, color of housing black

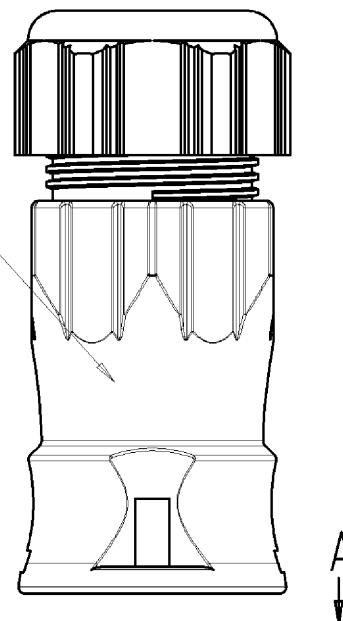
These dimensions will be especially checked at delivery  
 Only inspection dimensions  
 With /E marked dimensions are only valid for internal use

Diese Maße werden bei Abnahme besonders geprüft  
 Ausschließlich Prüfmaße  
 Mit /E gekennzeichnete Maße sind nur für interne Zwecke gültig

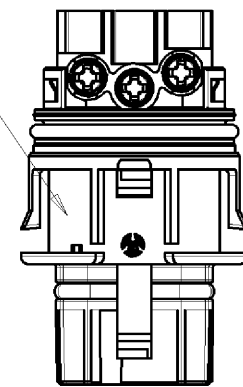


### Auslieferungszustand delivery status

cable diameter 14-18mm  
 für Kabeldurchm. 14-18mm  
 color:black,  
 similar to RAL 9005  
 Farbe:schwarz,  
 ähnl. RAL 9005

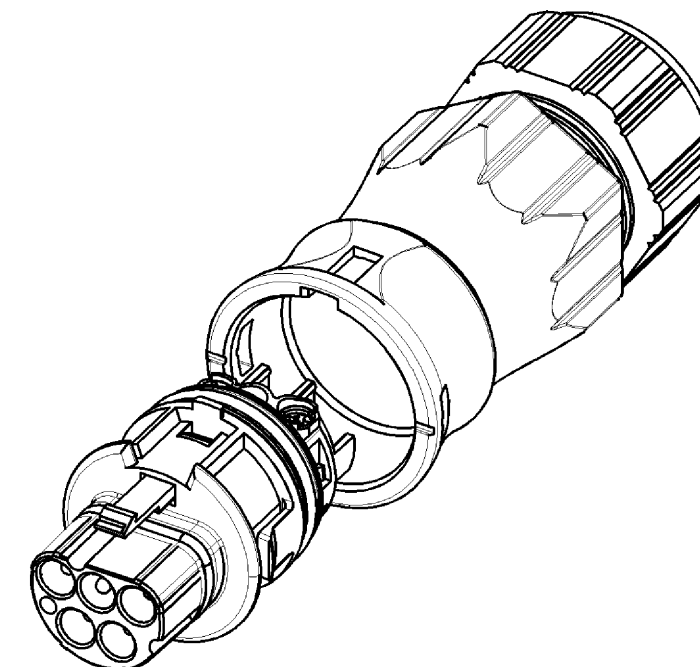
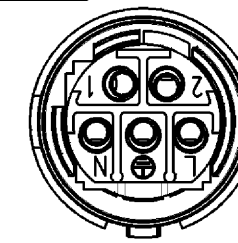


color: concrete grey,  
 similar to RAL 7023  
 Farbe:betongrau,  
 ähnl. RAL 7023



Verpackungseinheit: je 100 Stück  
 packaging unit: per 100

A-A



Type: RST25I5S S1 ZR3SV BG03

Tolerierung nach DIN 7167/Tolerance system acc. to DIN 7167. (This DIN-standard describes the envelope principle. According to the envelope principle the deviations of form and parallelism are limited by the size tolerances).				nein/no <input checked="" type="checkbox"/> Stoffverbots- und Deklarationsliste nach UU-TQM-05/03 ist einzuhalten. Conformity with Wieland document UU-TQM-05/03 (list of prohibited / declarable hazardous substances) to be declared!			
Freitoleranz nach General tolerance		CAD - Zeichnung, keine manuellen Änderungen CAD - drawing, no manual modifications allowed		1. Verwendung: First Use: -		Blatt: 1 von 1 Sheet: of 1	
		Werkstoff/Material		2006	Tag/Date	Name	
				gezeichnet drawn	26.01.	Kneitz	
		Maßstab/Scale		geprüft checked	-	-	
		1:1		Normgepr. Stand. check	-	-	
		Vol. mm <sup>3</sup> Ofl./Surf. mm <sup>2</sup>		Ersatz für/Replacement for: -			
b	21.02.2006/	 wieland Elektrische Verbindungen		Type		Benennung/Title	
a	08.02.2006/			STECKERTEIL MIT ZUGENTLASTUNG		male connector with cord grip	
Index	Datum / Blatt Date / Sheet			Schraubanschluss ohne Drahtschutz/screw-connection without wire protection		Kodierung/keying 3 (250V/25A)	
Änderung/Revision							

Weitergabe sowie Vervielfältigung dieses Dokuments, Verwertung und Mitteilung seines Inhalts sind verboten, soweit nicht ausdrücklich gestattet. Die Reproduktion, Distribution und Utilization of this document as well as the communication of its contents to others without express authorization is prohibited.

960524554301K\_4\_CADW1019\_Kneitz 2006-02-21T11:05:00 1.000