

Data sheet

Commercial Art.No.: 70.354.1635.0

Hood BAS GOT GC 16 M32 A0

Hood revos basic made of aluminum, for double locking lever or. screw cap with cable gland M32 on the top (IP54), low version, 16-poles



Commercial Art.No.	70.354.1635.0
EAN	4015573650909
Order Unit	1

Certificates / Approvals



Technical data

General

Housing material	aluminum
Color	Grey
Surface	With powder coating
Degree of protection (IP)	IP54
UV resistant	yes
Inflammability class of insulation material acc. with UL94	Other
Operating temperature range min.	-40 °C
Operating temperature range max.	120 °C

Model

Construction	16
Locking mechanism	Double locking levers
Cable entry	Above
Type of cable	Gland nut
With cable screw gland	yes
Thread size M	32
Thread size PG	
Hinged lid	No
EMC-version	No
Length	94 mm
Width	56 mm
Height	60 mm

Classification

ECLASS 11	
ECLASS 8.1	27440202
ETIM 7.0	EC000437
ETIM 6.0	EC000437
ETIM 5.0	EC000437
ETIM 4.0	EC000437
ETIM 3.0	EC000437

Product compliance

ROHS conformity status	Compliant/Exempted
ROHS exceptions	III-6(c)
REACH-SVHC conformity status	Duty-To-Declare
REACH-SVHC substances	Lead
REACH-SVHC CAS numbers	7439-92-1

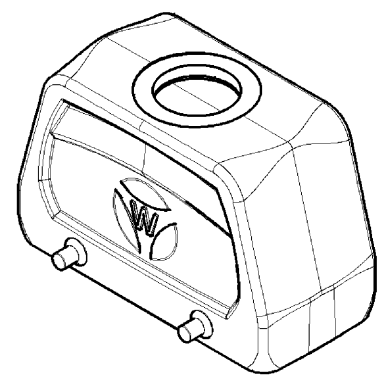
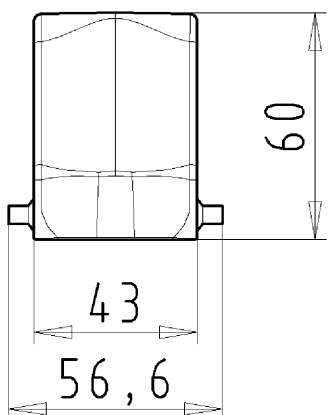
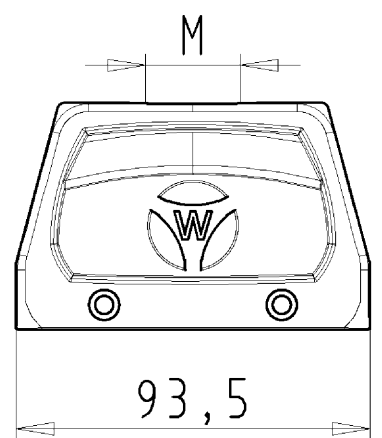
Fits with

Commercial Art.No.:	Article-type description:	Description:
70.300.1602.0	Female insert BAS BUS 16 2,5 50 AG	Female insert revos basic, 16-poles, rated current: 16A, rated voltage:500V, with silver-plated contacts
70.300.1640.0	Female insert BAS BUS 16 2,5 50	Female insert revos basic, 16-poles, rated current: 16A, rated voltage:500V, with tin-plated contacts
70.301.1640.0	Female insert BAS BUS 16 2,5 50 AU	Female insert revos basic, 16-poles, rated current: 16A, rated voltage:500V, with gold-plated contacts
70.302.1640.0	Female insert BAS BUS OD 16 2,5 50	Female insert revos basic, 16-poles, rated current: 16A, rated voltage:500V, with tin-plated contacts
70.310.1602.0	Male insert BAS STS 16 2,5 50 AG	Male insert revos basic, 16-poles, rated current: 16A, rated voltage: 500V, with silver-plated contacts
70.310.1640.0	Male insert BAS STS 16 2,5 50	Male insert revos basic, 16-poles, rated current: 16A, rated voltage: 500V, with tin-plated contacts
70.311.1640.0	Male insert BAS STS 16 2,5 50 AU	Male insert revos basic, 16-poles, rated current: 16A, rated voltage: 500V, with gold-plated contacts
70.312.1640.0	Male insert BAS STS OD 16 2,5 50	Male insert revos basic, 16-poles, rated current: 16A, rated voltage: 500V, with tin-plated contacts
70.500.1653.0	Female insert BAS BUF 16 2,5 50	Female insert revos basic, 16-poles, rated current: 16A, rated voltage:500V, with silver-plated contacts
70.510.1653.0	Male insert BAS STF 16 2,5 50	Male insert revos basic, 16-poles, rated current: 16A, rated voltage: 500V, with tin-plated contacts
70.700.1658.0	Female insert BAS BUC 16 50	Female insert revos basic, 16-poles, rated current: 16A, rated voltage:500V, with tin-plated contacts
70.710.1658.0	Male insert BAS STC 16 50	Male insert revos basic, 16-poles, rated current: 16A, rated voltage: 500V, with tin-plated contacts
70.800.3256.0	Female insert BAS BUCK 32 50 PC	Female insert revos basic, 32-poles, polycarbonate insert, rated current: 16A, rated voltage: 500V, with gold-plated or silver-plated contacts
70.810.3256.0	Male insert BAS STCK 32 50 PC	Male insert revos basic, 32-poles, polycarbonate insert, rated current: 16A, rated voltage: 500V, with gold-plated or silver-plated contacts
70.400.0640.0	Female insert BAS BUS 6 2,5 64	Female insert revos basic, 6-poles, rated current: 16A, rated voltage: 690V, with tin-plated contacts
70.410.0640.0	Male insert BAS STS 6 2,5 64	Male insert revos basic, 6-poles, rated current: 16A, rated voltage: 690V, with tin-plated contacts

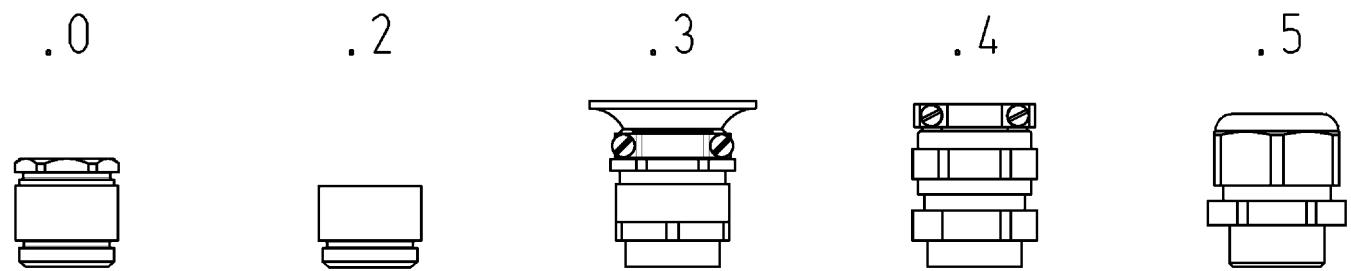
72.300.1653.0	Female insert BAS BUS 16 2,5 69	Female insert revos basic, 16-poles, rated current: 16A, rated voltage:690V, with tin-plated contacts
72.310.1653.0	Male insert BAS STS 16 2,5 69	Male insert revos basic, 16-poles, rated current: 16A, rated voltage: 690V, with tin-plated contacts
72.700.1658.0	Female insert BAS BUC 16 69	Female insert revos basic, 16-poles, rated current: 16A, rated voltage:690V, with tin-plated contacts
72.710.1658.0	Male insert BAS STC 16 69	Male insert revos basic, 16-poles, rated current: 16A, rated voltage: 690V, with tin-plated contacts
73.800.7253.0	Female insert DD BUC 72 1,5 25	revos DD 72 pole + ground, female insert 250V/10A, crimp connection
73.810.7253.0	Male insert DD STC 72 1,5 25	revos DD 72 pole + ground, male insert, 250V/10A, crimp connection
70.200.0653.0	Female insert POW BUS 6 6,0 40 AG	revos POWER 6 pole + ground, female insert 400V/35A, screw connection
70.210.0653.0	Male insert POW STS 6 6,0 40 AG	revos POWER 6 pole + ground, male insert 400V/35A, screw connection
70.405.1653.0	Female insert BAS BUP 16 2,5 50 AG	Female insert revos basic, 16-poles, rated current: 16A, rated voltage:500V, with silver-plated contacts
70.415.1653.0	Male insert BAS STP 16 2,5 50 AG	Male insert revos basic, 16-poles, rated current: 16A, rated voltage: 500V, with silver-plated contacts

These dimensions will be especially checked at delivery
 Only inspection dimensions
 With /E marked dimensions are only valid for internal use

Diese Maße werden bei Abnahme besonders geprüft
 Ausschließlich Prüfmaße
 Mit /E gekennzeichnete Maße sind nur für interne Zwecke gültig



Varianten/ Variants



70.35 ⁴ / ₂ .1635.5	BAS GOT GC 16	M32 M25	A 5	Kabelverschraubung(KV), IP65 /Cable gland(CG), IP65	
70.35 ⁴ / ₂ .1635.4	BAS GOT GC 16	M32 M25	A 4	KV mit Zugentlastung, IP54 /CG with strain relief, IP54	
70.35 ⁴ / ₂ .1635.3	BAS GOT GC 16	M32 M25	A 3	KV mit Zugentlastung und Knickschutz, IP54 /CG with strain relief and bend support, IP54	
70.35 ⁴ / ₂ .1635.2	BAS GOT GC 16	M32 M25	A 2	Zwischenstützen /Bushing	
70.35 ⁴ / ₂ .1635.1	BAS GOT GC 16	M32 M25	A 1	Gewindebohrung /Thread hole	X
70.35 ⁴ / ₂ .1635.0	BAS GOT GC 16	M32 M25	A 0	Kabelverschraubung(KV), IP54 /Cable gland(CG), IP54	
Bestellnummer /Order number	Typ /Type		Varianten /Variants		dar- gestellt /drawn

Weitere Daten siehe KATALOG oder eKatalog.
 Additional data see CATALOG or eCatalog.
www.wieland-electric.com
eshop.wieland-electric.com

Tolerierung Size ISO 14405(☐)/Tolerance system Size ISO 14405(☐). (This ISO-standard describes the envelope principle. According to the envelope principle the deviations of form and parallelism are limited by the size tolerances).				ja/yes ☑ Stoffverbots- und Deklarationsliste nach UU-TOM-05/03 ist einzuhalten. Conformity with Wieland document UU-TOM-05/03 (list of prohibited / declarable hazardous substances) to be declared!			
Freitoleranz nach General tolerance		CAD - Zeichnung, keine manuellen Änderungen CAD - drawing, no manual modifications allowed		1. Verwendung: - First Use:		Blatt: 1 von 1 Sheet: of 1	
/		Werkstoff/Material Aluminium beschichtet/ coated grau/ grey		2013 Tag/Date Name gezeichnet drawn 21.08. Treschan geprüft checked Normgepr. Stand. check		Zeichnung Nr./Drawing No. Index T 70.352.1635.0 13K	
/		Maßstab/Scale 1:2		Ersatz für/Replacement for: -		Maße in mm/Dimensions are in mm	
/		Vol. mm ³ Ofl./Surf. mm ²		Type revos BASIC		Benennung/Titel GEHAEUSEOBERTE IL Baugröße 16-Kabelabgang oben-M25/M32 Hood size 16-cable outlet top-M25/M32	
/		wieland Elektrische Verbindungen		Index Datum / Blatt Date / Sheet			
/		Änderung/Revision					

Weitergabe sowie Vervielfältigung dieses Dokuments, Verwertung und Mitteilung seines Inhalts sind verboten, soweit nicht ausdrücklich gestattet.
 The reproduction, distribution and utilization of this document as well as the communication of its contents to others without express authorization is prohibited.

703521635013K_2_CADW3028_Treschan 2013-09-20T09:11:08 1.000