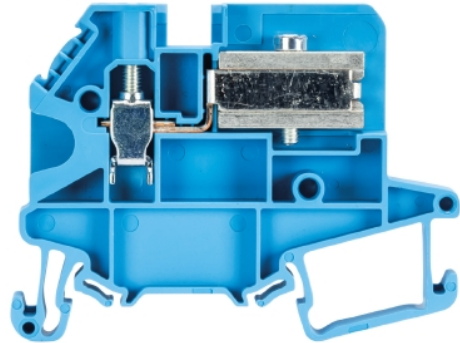


Data sheet

Commercial Art.No.: 58.504.6155.0

Neutral disconnect terminal WT 4 NT

Neutral disconnect terminal with Screw connection for mounting on TS 35, nominal cross section: 4 mm², width: 6 mm, color: blue



| | |
|--------------------|---------------|
| Commercial Art.No. | 58.504.6155.0 |
| EAN | 4049088241741 |
| Order Unit | 100 |

Technical data

General

| | |
|--|-------------------------------|
| Nominal cross section | 4 mm ² |
| Color | Blue |
| Number of levels | 1 |
| Number of clamp positions per level | 1 |
| Width/grid dimension | 6 mm |
| Inflammability class of insulation material acc. with UL94 | V0 |
| Mounting method | DIN rail (top hat rail) 35 mm |
| Terminal blocks for electrical installations | yes |

Technical data

| | |
|-----------------------------|---------------|
| Rated current | 32 A |
| Rated voltage | 400 V |
| Rated impulse voltage | 6 kV |
| Pollution degree | 3 |
| Connecting plate required | yes |
| Type of insulation material | Thermoplastic |
| Length | 62.6 mm |

Connection Data

| | |
|---|----------------------|
| Connection type 1 | screw connection |
| Minimum cross section solid | 0.14 mm ² |
| Maximum cross section solid | 6 mm ² |
| Minimum cross section fine stranded | 0.14 mm ² |
| Maximum cross section fine stranded | 6 mm ² |
| Minimum conductor cross section (flex., stranded) with cable end sleeve | 0.5 mm ² |
| Maximum conductor cross section (flex., stranded) with cable end sleeve | 4 mm ² |

| | |
|---------------------------|---------|
| Wire strip length | 9 mm |
| Torque conductor mounting | 0.5 Nm |
| For N-busbar | 3x10 mm |

Classification

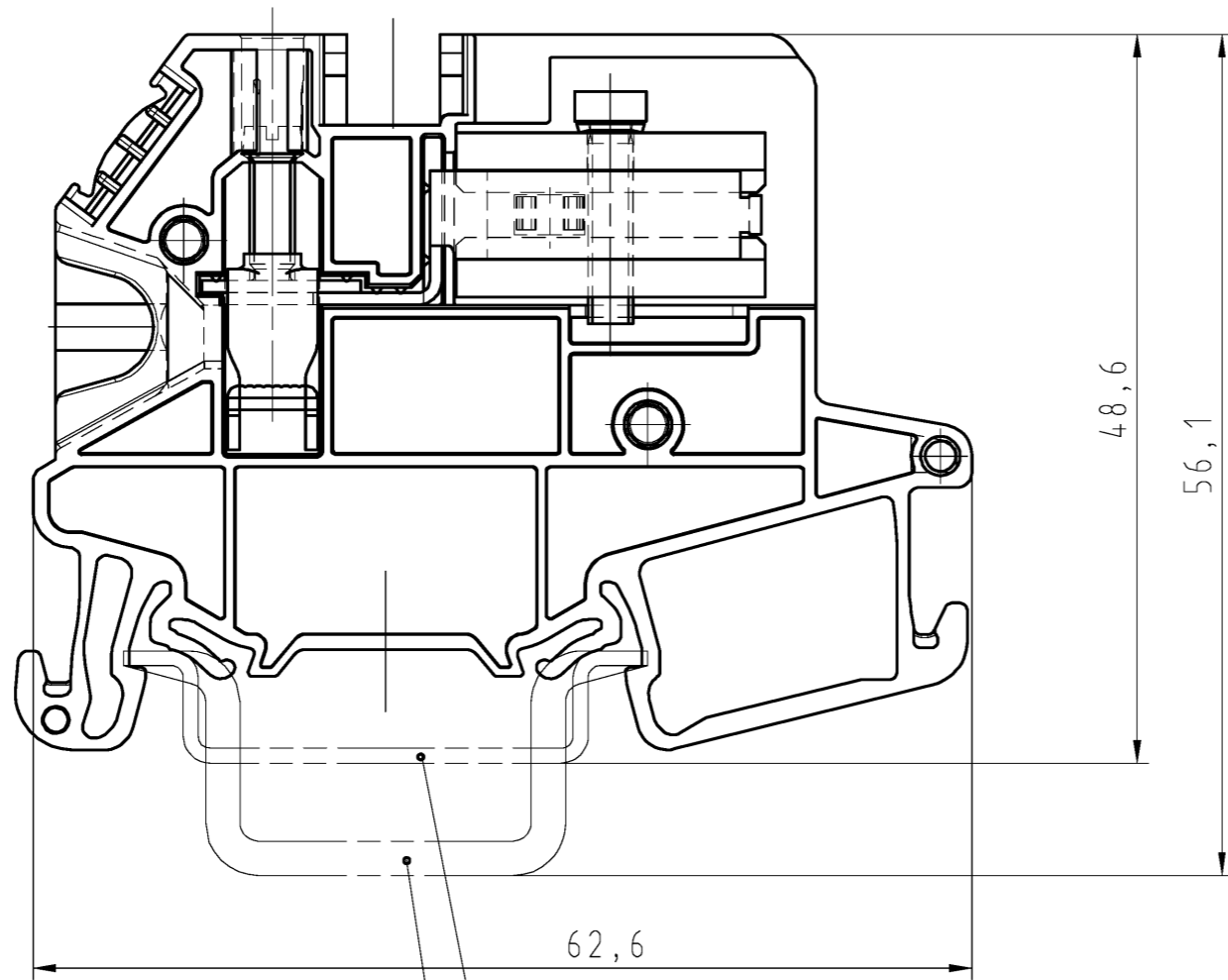
| | |
|------------|----------|
| ECLASS 11 | |
| ECLASS 8.1 | 27141138 |
| ETIM 7.0 | EC001257 |
| ETIM 6.0 | EC001257 |
| ETIM 5.0 | EC001257 |
| ETIM 4.0 | EC001257 |

Product compliance

| | |
|------------------------------|--------------------|
| ROHS conformity status | Compliant/Exempted |
| ROHS exceptions | III-6(c) |
| REACH-SVHC conformity status | Duty-To-Declare |
| REACH-SVHC substances | Lead |
| REACH-SVHC CAS numbers | 7439-92-1 |

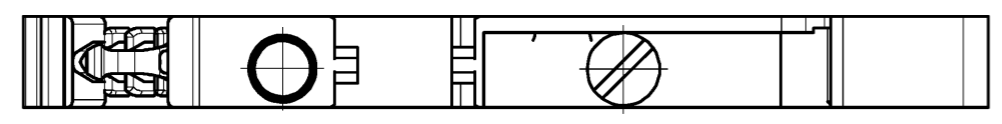
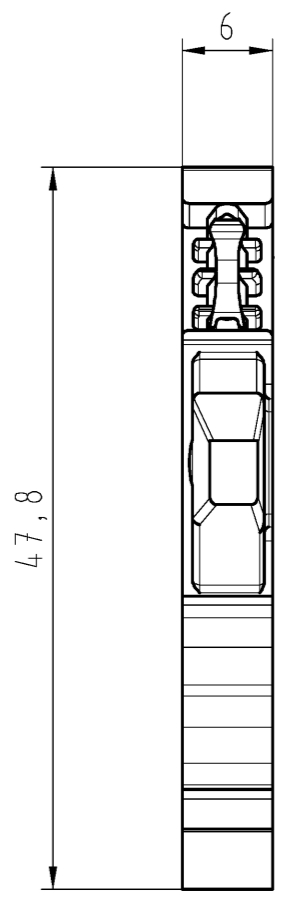
These dimensions will be especially checked at delivery
 Only inspection dimensions
 With /E marked dimensions are only valid for internal use

Diese Maße werden bei Abnahme besonders geprüft
 Ausschließlich Prüfmaße
 Mit /E gekennzeichnete Maße sind nur für interne Zwecke gültig



Hutschiene EN 60715-35x7,5
 mounting rail EN 60715-35x7,5

Hutschiene EN 60715-35x15
 mounting rail EN 60715-35x15



| | | | | | | | |
|---|--|---|--|---|--|--|--|
| Tolerierung Size ISO 14405 (E)/Tolerance system Size ISO 14405 (E). (This ISO-standard describes the envelope principle. According to the envelope principle the deviations of form and parallelism are limited by the size tolerances). | | | | ja/yes <input checked="" type="checkbox"/> Stoffverbots- und Deklarationsliste nach WN 5020.010 ist einzuhalten. Conformity with Wieland document WN 5020.010 e (list of prohibited / declarable hazardous substances) to be declared! | | | |
| Freitoleranz nach General tolerance | | CAD - Zeichnung, keine manuellen Änderungen CAD - drawing, no manual modifications allowed | | 1.Verwendung: - First Use: | | Blatt: 1 von 1 Sheet: of 1 | |
| / | | Werkstoff/Material | | 2014 Tag/Date | | Name | |
| / | | Maßstab/Scale | | gezeichnet drawn | | 20.10. Süß Ch. | |
| / | | 2:1 | | geprüft checked | | | |
| / | | Vol. mm³ | | OfI./Surf. mm² | | Ersatz für/Replacement for: - | |
| / | | www.wieland-electric.com | | Type | | Benennung/Title | |
| Index | | Datum / Blatt Date / Sheet | | WT 4 NT | | NEUTRALLEITER_TRENNKLEMME | |
| Änderung/Revision | | | | | | Neutral disconnect terminal 400 V 4 mm² | |

Weitergabe sowie Vervielfältigung dieses Dokuments, Verwertung und Mitteilung seines Inhalts sind verboten, soweit nicht ausdrücklich gestattet.
 The reproduction, distribution and utilization of this document as well as the communication of its contents to others without express authorization is prohibited.