

**NRP SERIES**

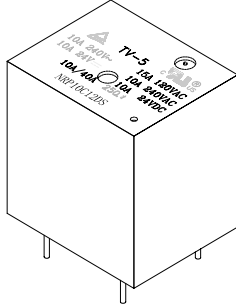


Industrial & Electrical Components

**Miniature  
P.C.B Relay**

Part No.

**NRP-10**



15A 125Vac switching capacity  
Compact dimension  
Sealed type available

**CONTACT**

Arrangement	1A 1C
Contact Material	Silver Alloy
Contact Resistive (At 6VDC 1A)	100 mΩ
Rating	1A: 12A 240VAC 15A 120VAC 15A 12VDC
Resistive load (cosφ=1)	1C: 10A 240VAC 12A 120VAC 12A 12VDC
Max. Switching Voltage	250VAC 30VDC
Max. Switching Current	15A
Max. Switching Power	2770VA / 240W
Expected life	
Mechanical (300 ops/Min)	1×10 <sup>7</sup> Min
Electrical (30 ops/Min)	1×10 <sup>5</sup> Min.

**CHARACTERISTICS**

Operate Time	10ms. Max.
Release Time	5ms. Max.
Initial breakdown voltage	
Between Coil & Contact	1500VAC for 1 min.
Between Open Contacts	750VAC for 1 min.
Insulation Resistance	Min.100MΩ (500 VDC)
Shock: Endurance	10 G
Damage	100G
Vibration:	10 to 55 Hz , 1.5mm D.A.
Humidity	40%~85%RH
Ambient temperature	-40 to +85
Unit weight	13g

**ORDERING INFORMATION**

e.g

**NRP - 10 - C - 12D**

Series: Miniature p.c.b Relay

Part No.

Contact Form:

C=1C/O; A = N/O; B= N/C

Coil Voltage: 12D= 12Vdc

24D= 24Vdc

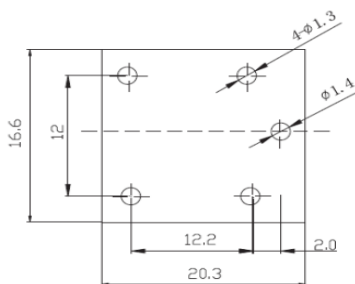
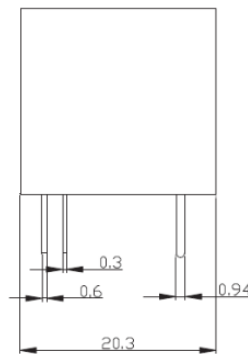
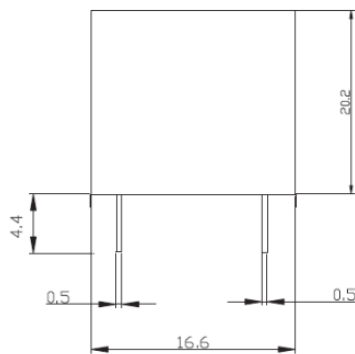
**COIL DATA (at 20 )**

Nominal Voltage (VDC)	Pick-up Voltage VDC(Max)	Drop-out Voltage VDC(Min)	Coil Resistance ( $\Omega$ ) $\pm$ 10%		Nominal operating Power (W)	Max.Allowable Voltage
			0.36W	0.45W		
3	2.25	0.15	25	20	0.36/0.45	130% of nominal Voltage
5	3.75	0.25	69	56		
6	4.50	0.30	100	80		
9	6.75	0.45	225	180		
12	9.00	0.60	400	320		
24	18.00	1.20	1600	1280		
*48	36.00	2.40	6400	5120		

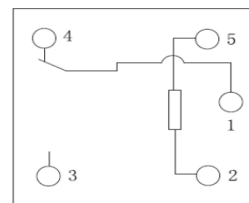
\*48VDC:Coil Resistance( $\Omega$ )  $\pm$ 15%.

**DIMENSIONS**

Unit: mm

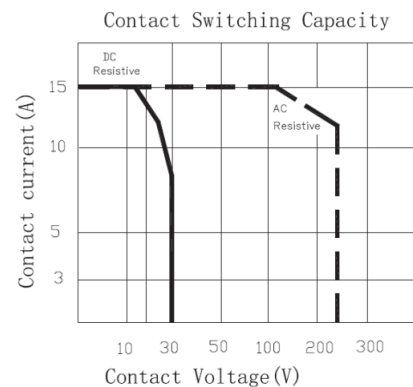
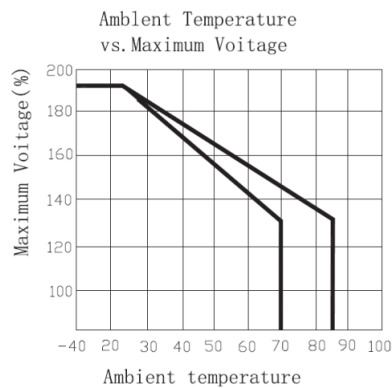
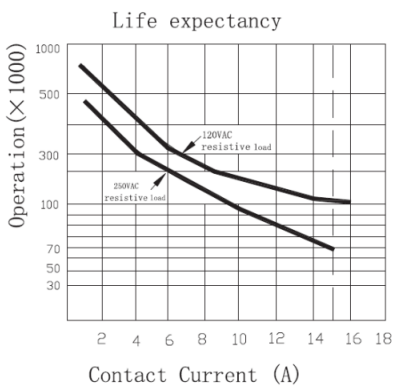


PCB Layout (Bottom view)



Wiring Diagram (Bottom view)

**Reference Data 性能曲线图**



**Disclaimer:**

The specifications in this datasheet are for reference only and subject to change without notice.No chance for us to evaluate all the specifications and technical parameters for each possible application.The users will take the responsibility to choose the correct products for their own applications. While if any technical support is needed, please contact NCR team for assistance.