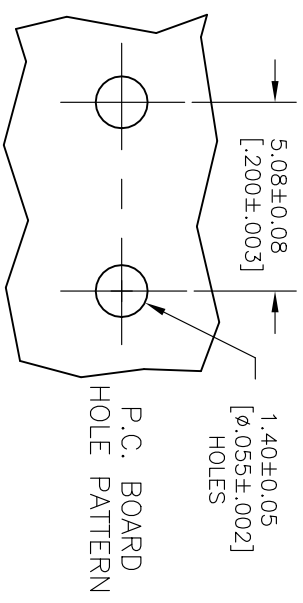
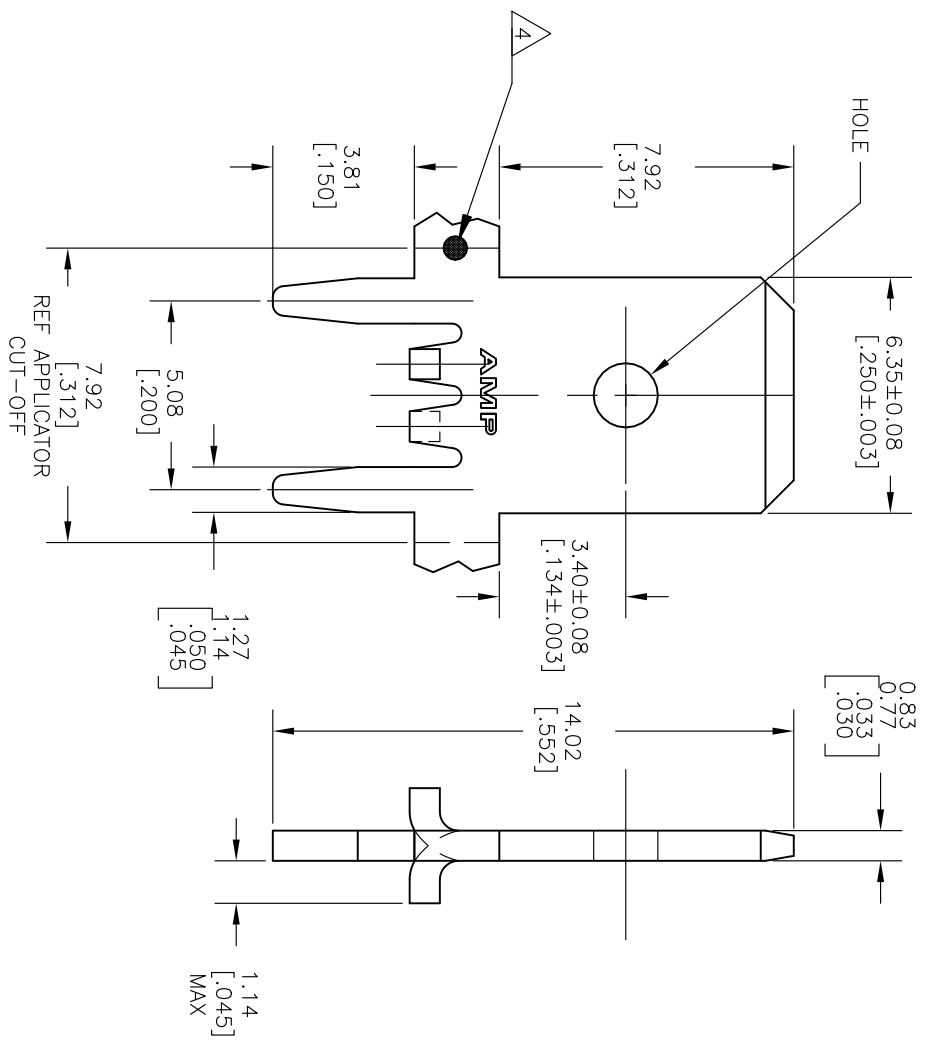


REVISIONS			
P	LR	DESCRIPTION	DATE
S		REVISED PER ECO--18-018731	30NOV2018
			RS
			LB



- 1 CONTINUOUS STRIP ON REELS.
- 2 TIN PLATE 0.00381 [0.000150] MIN OVER 0.00254 [0.000100] MIN THK COPPER OR TIN PLATE 0.00381 [0.000150] MIN OVER 0.00127 [0.000050] MIN THK NICKEL.
- 3 REELED WITH INTERLEAVING PAPER
- 4 OPTIONAL ID MARK, LOCATED APPROX AS SHOWN.
- 5 PRELIMINARY - NOT FOR PRODUCTION
- 6 PREPRODUCTION - FASR REQUIRED

STANDARD	BRASS, <sup>1</sup> SPECIAL HARD	63824-8
3 STANDARD	BRASS	63824-5
REVERSE	BRASS	63824-3
STANDARD	BRASS	63824-2
STANDARD	BRASS	63824-1
REELING	MATERIAL	PART NO.

THIS DRAWING IS A CONTROLLED DOCUMENT.

DMR	JUR RUTH	20FEB01
CHK	MS FEHER	20FEB01
APD	N DELBERT	20FEB01
PRODUCT SPEC		
APPLICATION SPEC		
WEIGHT	114-2115	
0.000000		
SIZE	CAGE CODE	DRAWING NO
A3	00779	63824
SCALE	8:1	SHEET
		1 OF 1
		REV
		S

TAB, FASTON, P.C. BOARD  
6.35 [0.250]

**STE** TE Connectivity