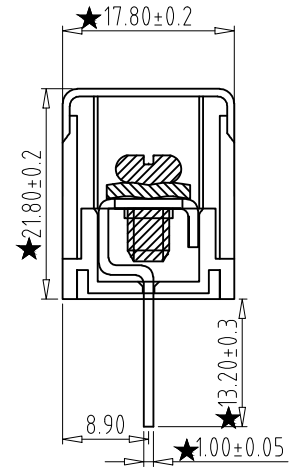
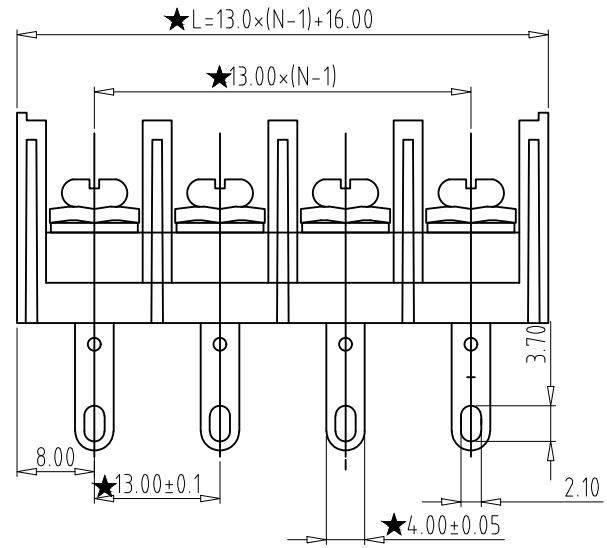
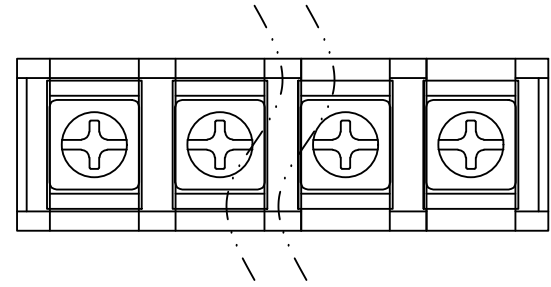
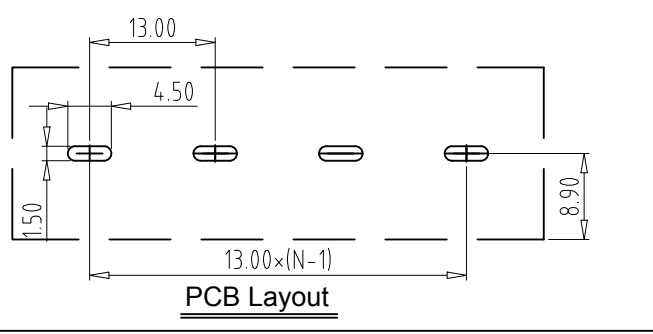
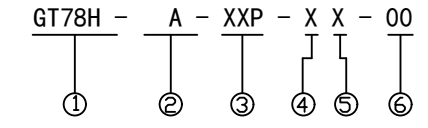


REV	CONTENT	CHK	DATE
V0.0	CONTENT	YL	22.11.17



**Electrical :**

1. Rated Voltage : 600V
2. Rated Current : 50A
3. Torque Value : M4.5, 15.79Lb.in (1.8N.m)
4. Wire Range: 18-8AWG
5. Stripping Length : 10-11mm
6. Withstanding Voltage : AC2500V/1Min.
7. Operating Temperature : -40°C~+105°C
8. RoHS Compliance
9. "★" is the key quality control point



- ① Series NO.
- ② With fixing hole
- ③ Poles  
02 02Contacts  
03 03Contacts  
...  
24 24Contacts
- ④ 1 Single Pitch  
2 Double Pitch
- ⑤ Color: 1 Grey  
2 Blue  
3 Black  
4 Green  
5 Orange  
6 Red  
7 Transparent  
8 Yellow  
9 White
- ⑥ Customer Request: 00---Standard

3	Screws	XXXXXX	P	Steel	Ni Plated
2	Contacts	XXXXXX	P	Brass	Tin Plated
1	Housing	XXXXXX	1	PA66 UL94V-0	SEE NOTE
ITEM	NAME OF PART	NO. OF PART	Q'TY	MATERIAL	NOTE
DWG.	YL	DATE	22.11.17	SIZE	A4 UNITS mm SHEET/OF 1 / 1
CHK.	DATE			SCALE	1:1
APP.	DATE			NAME	GT78H-A-XXP-XX-00
宁波冠泰电子有限公司 NINGBO GOLTEN ELECTRONICS CO., LTD.				DWGNO.	200710.C01

Total Pitch Tolerances in mm								Nominal dimension range in mm										⊥		≡		—		//	
over	over	over	over	over	over	over	over	over	over	over	over	over	over	over	over	over	over	0	over	0	100	over	0	100	over
0	30	53	70	90	115	150	250	350	500	30	53	70	90	115	150	200	250	320	10	all	to	to	150		
±0.18	±0.20	±0.25	±0.3	±0.35	±0.44	±0.60	±0.70	±0.85	±0.20	±0.25	±0.30	±0.35	±0.44	±0.55	±0.70	±0.80	±0.90	0.2	0.3	0.3	0.2	0.3	0.5		