

## Data sheet

Commercial Art.No.: 70.325.4828.0

Bottom BAS GUT GP 48 50 A

Bottom-base revos basic made of aluminum, with single locking lever, open, low version, 32-poles



Commercial Art.No.	70.325.4828.0
EAN	4015573220270
Order Unit	1

Certificates / Approvals



## Technical data

### General

Housing material	aluminum
Color	Grey
Surface	With powder coating
Degree of protection (IP)	IP54
UV resistant	yes
Inflammability class of insulation material acc. with UL94	Other
Operating temperature range min.	-40 °C
Operating temperature range max.	120 °C

### Model

Construction	48
Locking mechanism	Single locking lever
Cable entry	None
Type of cable	None
With cable screw gland	No
Thread size PG	
Hinged lid	yes
EMC-version	No
Length	165 mm
Width	90 mm
Height	62 mm

### Classification

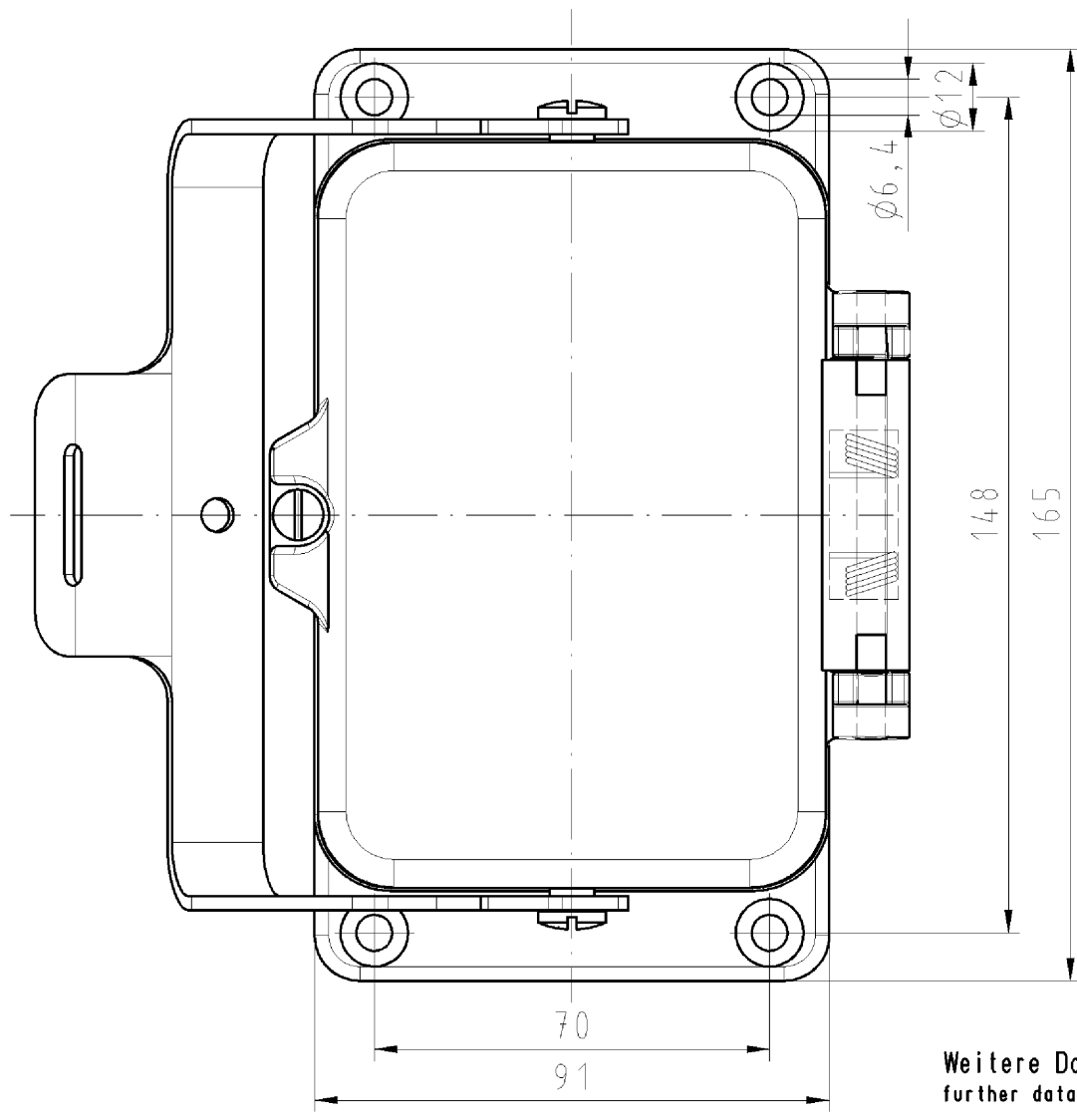
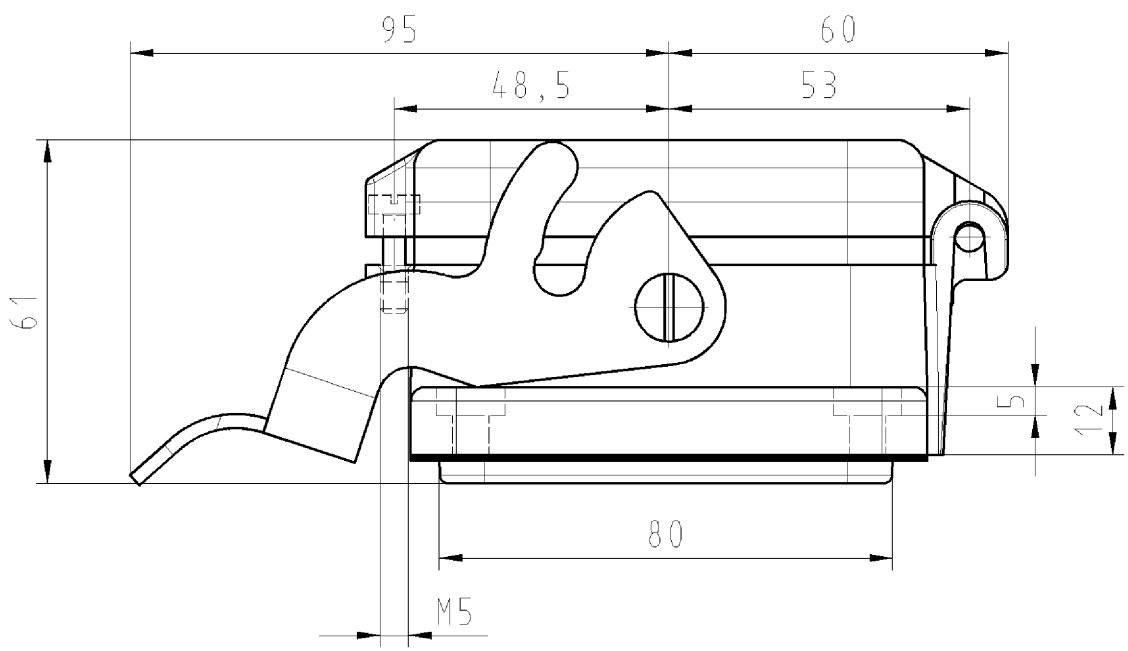
ECLASS 11	
ECLASS 8.1	27440202
ETIM 7.0	EC000437
ETIM 6.0	EC000437
ETIM 5.0	EC000437
ETIM 4.0	EC000437
ETIM 3.0	EC000437

#### Product compliance

ROHS conformity status	Compliant/Exempted
ROHS exceptions	III-6(c)
REACH-SVHC conformity status	Duty-To-Declare
REACH-SVHC substances	Lead
REACH-SVHC CAS numbers	7439-92-1

#### Fits with


Commercial Art.No.:	Article-type description:	Description:
70.300.4840.0	Female insert BAS BUS 48 2,5 50	Female insert revos basic, 48-poles, rated current: 16A, rated voltage:500V, with tin-plated contacts
70.310.4840.0	Male insert BAS STS 48 2,5 50	Male insert revos basic, 48-poles, rated current: 16A, rated voltage: 500V, with tin-plated contacts
70.500.4853.0	Female insert BAS BUF 48 2,5 50	Female insert revos basic, 48-poles, rated current: 16A, rated voltage:500V, with tin-plated contacts
70.510.4853.0	Male insert BAS STF 48 2,5 50	Male insert revos basic, 48-poles, rated current: 16A, rated voltage: 500V, with tin-plated contacts
70.700.4858.0	Female insert BAS BUC 48 50	Female insert revos basic, 48-poles, rated current: 16A, rated voltage:500V, with tin-plated contacts
70.710.4858.0	Male insert BAS STC 48 50	Male insert revos basic, 48-poles, rated current: 16A, rated voltage: 500V, with tin-plated contacts
72.300.4853.0	Female insert BAS BUS 48 2,5 69	Female insert revos basic, 48-poles, rated current: 16A, rated voltage:690V, with tin-plated contacts
72.310.4853.0	Male insert BAS STS 48 2,5 69	Male insert revos basic, 48-poles, rated current: 16A, rated voltage: 690V, with tin-plated contacts



○ Diese Maße werden bei Abnahme besonders geprüft  
 ○ Ausschließlich Prüfmaße  
 ○ Mit /E gekennzeichnete Maße sind nur für interne Zwecke gültig

Weitere Daten siehe Katalog  
 further data see catalog

Weitergabe sowie Vervielfältigung dieses Dokuments, Verwertung und Mitteilung seines Inhalts sind verboten, soweit nicht ausdrücklich gestattet. The reproduction, distribution and utilization of this document as well as the communication of its contents to others without express authorization is prohibited.

Freitoleranz nach		CAD - Zeichnung, keine manuellen Änderungen			1. Verwendung: -		Bl.: 1 von 1			
	/	Maßstab	Werkstoff und Oberfläche:		2005	Tag	Zeichnung Nr. <b>70.325.4828.0 01K</b>		Index	
	/				Entworfen	14.06.				Schmitt J.
	/				Geprüft	-				-
	/	Vol.	mm <sup>3</sup>	Ofl.	mm <sup>2</sup>	Normgepr.	-	-	Ersatz für: -	
Buchstabe		Datum / Blatt		 <b>wieland</b> Elektrische Verbindungen		Benennung				
Änderung						<b>GEHAEUSEUNTERTEIL</b> Größe/size 48 offen m. Verriegelung u. Schutzdeckel Open housing w. protective cover a. single locking				

703254828001K\_4 CADW028 Schmitt 2005-06-15T08:40:41 1.000