

## Data sheet

Commercial Art.No.: 96.052.4551.4

Connector RST20i5S S1 ZR3SVL BR0

RST20i5 connector, 5 pole, male, screw connection, application ~50V/-120V, 20A, for cable diameters 14-18mm, coding color signal brown, color of housing black



Commercial Art.No.	96.052.4551.4
EAN	4015573891036
Order Unit	1

Certificates / Approvals



LR

RINA



## Technical data

### General

Rated current	20 A
Rated voltage	50 V / 120 V
Rated impulse voltage	4 kV
strain relief	yes
Pollution degree	3
Lockable	self-locking (unlocking by tool)
Color of coding/ contact carrier	signal brown
Marking of poles	1, 2, 3, 4, 5
Color of housing inclusive strain relief	black

### Connection Data

Cable diameter max.	18 mm
Cable diameter min.	13 mm
Connection cross section solid mm <sup>2</sup> max.	4 mm <sup>2</sup>
Connection cross section solid mm <sup>2</sup> min.	0.75 mm <sup>2</sup>
Connection cross section solid AWG min.	18 AWG
Connection cross section solid AWG max.	14 AWG
Connection cross section fine stranded mm <sup>2</sup> max.	4 mm <sup>2</sup>
Connection cross section fine stranded mm <sup>2</sup> min.	0.75 mm <sup>2</sup>
Terminations per pole	1
Connection cross section stranded mm <sup>2</sup> min.	0.75 mm <sup>2</sup>
Connection cross section stranded mm <sup>2</sup> max.	4 mm <sup>2</sup>
Connection cross section stranded AWG min.	18 AWG
Connection cross section stranded AWG max.	14 AWG
sheath strip length	37 mm

Wire strip length	8 mm
-------------------	------

#### Model

Model	male
Connection type	screw connection
Degree of protection (IP)	IP66/68 (3m;2h) /IP69

#### Material

Housing material	Polyamide
halogen free	yes
Contact material	CuZn
Fire load	0.361 kWh
Insulation components continuous temperature	100 °C
Surface finish	Silver-plated

#### Dimensions

Length	94.6 mm
Width	35.4 mm
Height	35.4 mm

#### Classification

ECLASS 11	
ECLASS 8.1	27440605
ETIM 7.0	EC002560
ETIM 6.0	EC002560
ETIM 5.0	EC002560
ETIM 4.0	EC002560

#### Note

Note	RST® terminals with screw clamping allow the connection of conductors without special preparation (without ferrules) according to EN 60999-1.
------	---

#### Product compliance

ROHS conformity status	Compliant/Exempted
ROHS exceptions	III-6(c)
REACH-SVHC conformity status	Duty-To-Declare
REACH-SVHC substances	Lead
REACH-SVHC CAS numbers	7439-92-1

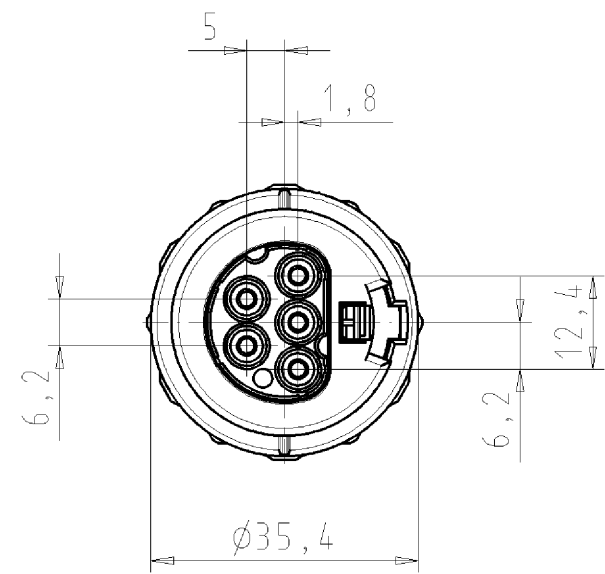
#### Accessories

Commercial Art.No.:	Article-type description:	Description:
05.565.9953.1	Cover for male connector SW	RST20i5/4 cover piece, for covering unused male connectors, color black
99.532.0000.7	Cover for male connector SW	RST20i5/4 cover piece, for covering unused male connectors, with fastening belt, color black

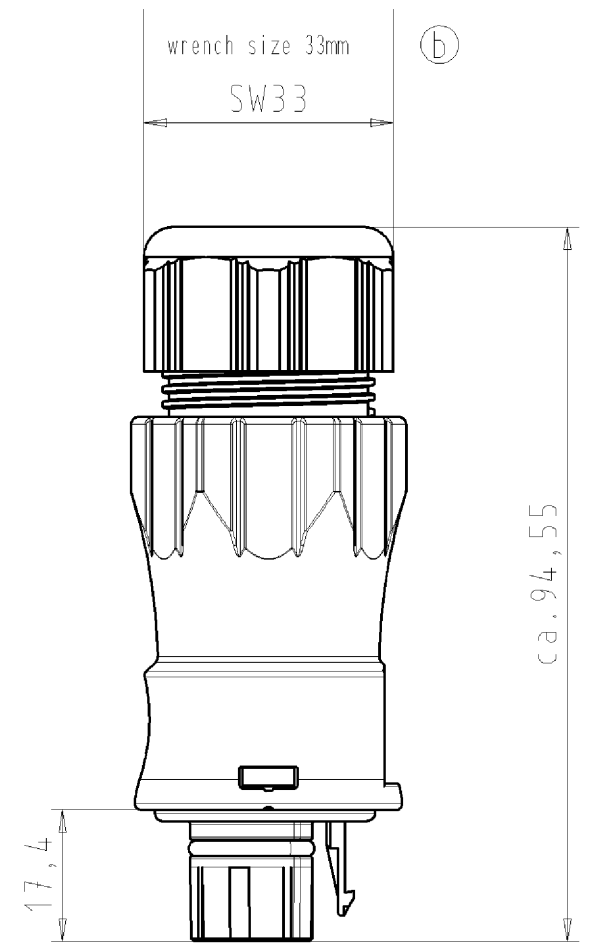
## Fits with

Commercial Art.No.:	Article-type description:	Description:
96.051.4551.4	Connector RST20i5S B1 ZR3S L BR0	RST20i5 connector, 5 pole, female, screw connection, application ~50V/-120V, 20A, for cable diameters 14-18mm, coding color signal brown, color of housing black
96.051.5051.4	Device connector RST20i5S B1 M01 L BR0	RST20i5 device connector M25, 5 pole, female, screw connection, application ~50V/-120V, 20A, coding color signal brown
96.051.6151.4	Device connector RST20i5S B1 M03 L BR0	RST20i5 device connector M16, 5 pole, female, screw connection, modular, application ~50V/-120V, 20A, coding color signal brown, color of housing black
96.051.6051.4	Device connector RST20i5S B1 M00 L BR0	RST20i5 device connector M20, 5 pole, female, screw connection, modular, application ~50V/-120V, 20A, coding color signal brown, color of housing black
96.053.6051.4	Device connector RST20i5S B1 M90 L BR0	RST20i5 device connector (90° angled) M20, 5 pole, female, screw connection, modular, application ~50V/-120V, 20A, coding color signal brown, color of housing black
96.053.6251.4	Device connector RST20i5S B1 M91 L BR0	RST20i5 device connector (90° angled) M25, 5 pole, female, screw connection, modular, application ~50V/-120V, 20A, coding color signal brown, color of housing black
96.051.6353.4	Device connector RST20i5S B1 M02V BR01	RST20i5 device connector M32, 5 pole, female, screw connection, modular, application ~50V/-120V, 20A, coding color signal brown, color of housing black

These dimensions will be especially checked at delivery  
Only inspection dimensions  
With /E marked dimensions are only valid for internal use

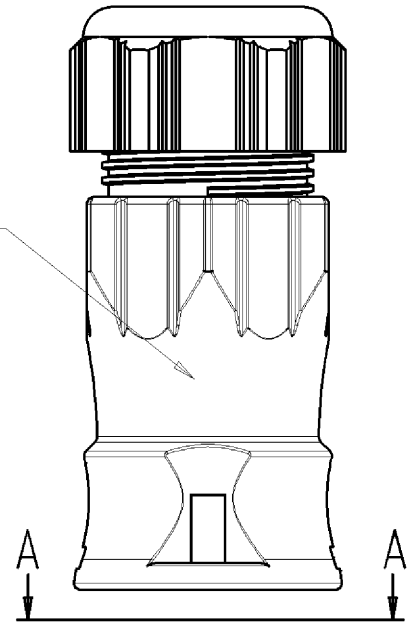


Diese Maße werden bei Abnahme besonders geprüft  
Ausschließlich Prüfmaße  
Mit /E gekennzeichnete Maße sind nur für interne Zwecke gültig

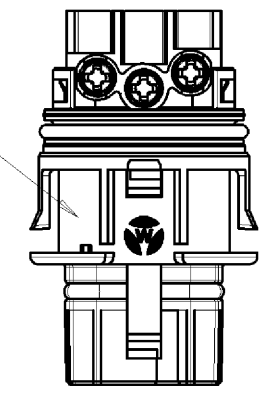


### Auslieferungszustand delivery status

for cable diameter 14-18mm  
für Kabeldurchm. 14-18mm  
color:black,  
similar to RAL 9005  
Farbe:schwarz,  
ähnl. RAL 9005

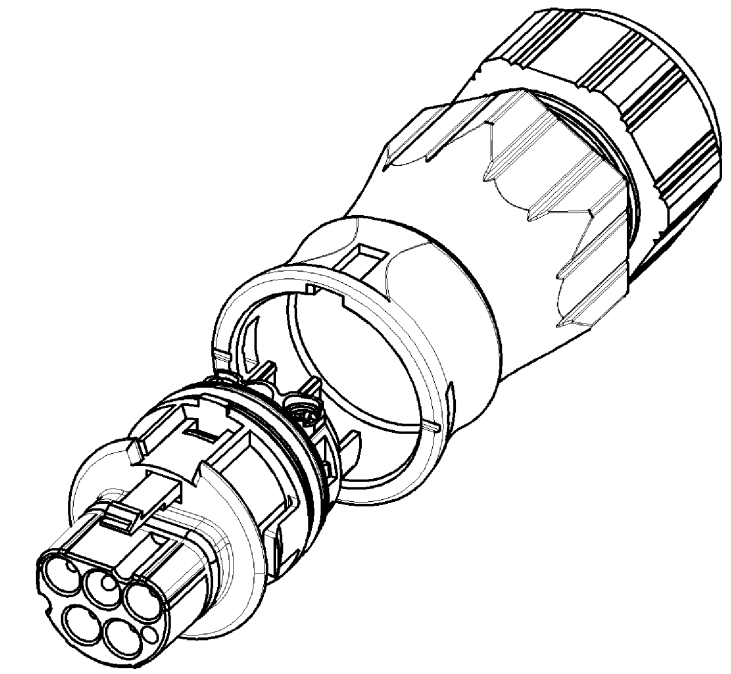
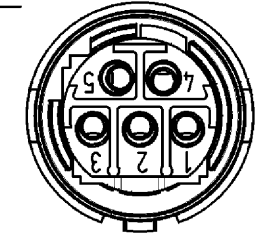


color: signalbrown,  
similar to RAL 8002  
Farbe:signalbraun,  
ähnl. RAL 8002



Verpackungseinheit: je 100 Stück  
packaging unit: per 100

A-A



Type: RST2015S S1 ZR3SVL BR01

Tolerierung nach DIN 7167/Tolerance system acc. to DIN 7167. (This DIN-standard describes the envelope principle. According to the envelope principle the deviations of form and parallelism are limited by the size tolerances).		nein/no <input checked="" type="checkbox"/> Stoffverbots- und Deklarationsliste nach UU-TQM-05/03 ist einzuhalten. Conformity with Wieland document UU-TQM-05/03 (list of prohibited / declarable hazardous substances) to be declared!	
Freitoleranz nach General tolerance		CAD - Zeichnung, keine manuellen Änderungen CAD - drawing, no manual modifications allowed	1.Verwendung: First Use: -
Blatt: 1 von 1 Sheet: 1 of 1		Zeichnung Nr./Drawing No. 96.052.4551.4 01K b	
Werkstoff/Material		2006 Tag/Date	Name
Maßstab/Scale		gezeichnet/drawn	01.02. Kneitz
1:1		geprüft/checked	-
Vol.		Normgepr. Stand. check	-
mm <sup>3</sup> Ofl./Surf.		Ersatz für/Replacement for: 96.052.4553.4 01K von 10.01.2006	
b 21.02.2006/ a 06.02.2006/ Index Datum / Blatt Date / Sheet		Type	
Änderung/Revision		Benennung/Titel	
wieland Elektrische Verbindungen		STECKERTEIL MIT ZUGENTLASTUNG male connector with cord grip Schraubanschluss ohne Drahtschutz/screw-connection without wire protection Kodierung/keying 1 (Niedervolt/low voltage)	

Weitergabe sowie Vervielfältigung dieses Dokuments, Verwertung und Mitteilung seines Inhalts sind verboten, soweit nicht ausdrücklich gestattet.  
The reproduction, distribution and utilization of this document as well as the communication of its contents to others without express authorization is prohibited.

960524551401K\_4\_CADW1019\_Kneitz 2006-02-21T10:58:27 1.000