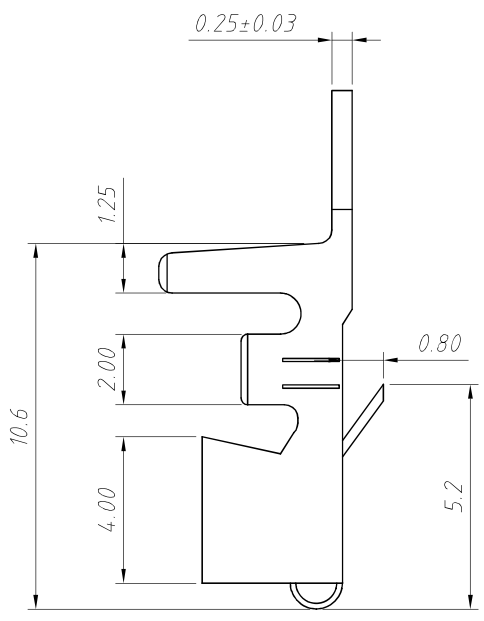
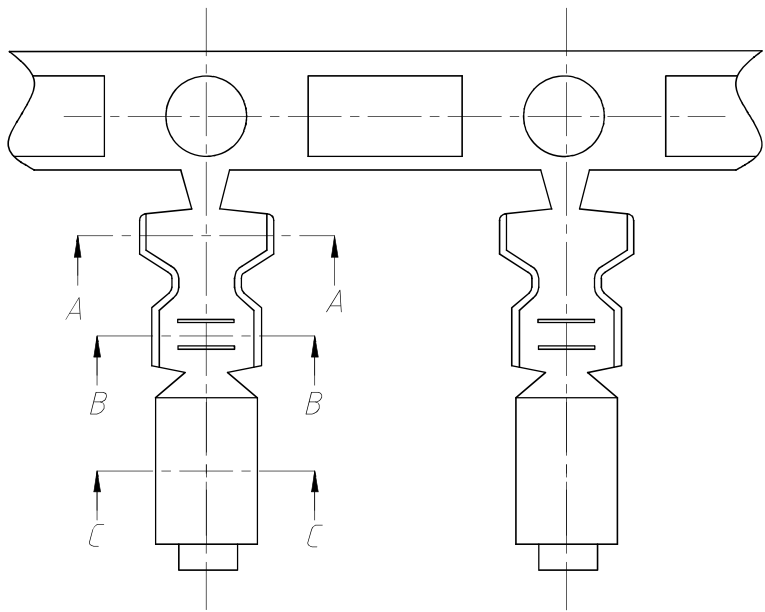
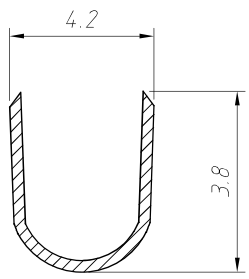


1  
RoHS Compliance

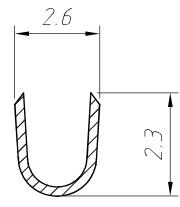


**Material:**  
 Terminal: Brass or Phosphor Bronze  
 Plating: Tin plated over Nickel  
 Applicable wires: AWG #22 ~ #18  
 Insulation O.D: 2.8mm  
 Qty/reel: 3000 pcs

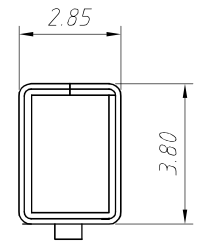
**Electrical Characteristics:**  
 Rated Current: 7.0AMP  
 Voltage rating: 250V AC, DC  
 Temperature range: -25°C ~ +85°C  
 Insulator Resistance: 1000MΩ Min  
 Withstanding Voltage: 1500V AC/minute  
 Contact Resistance: 20mΩ Max



A-A



B-B



C-C

**Order Information:**  
 L-KLS1-3.96A-T

L: RoHS  
 Pitch: 3.96mm  
 Type: \_\_\_\_\_  
 H-Hosing T-Terminal  
 S-Straight male pin  
 R-Right angle male pin  
 VM-Vertical SMT Pin  
 RM-Horizontal SMT Pin

ANGLE TOLERANCE	PROJECTION	Description:	3.96mm JST VH Type
±3°			Wire To Board Connector
GENERAL TOLERANCE	UNITS	mm	KLS P/N: L-KLS1-3.96A-T
x.x ±0.30	SHEET SIZE	A4	NingBo KLS ELECTRONIC CO.,L TD.
x.xx ±0.20	Draw:	Daniel 2021-01-11	
x.xxx ±0.10	Check:	Daniel 2021-01-11	